

S pumps, range 62

Up to 50 kW
50 Hz



Contents

Introduction

Introduction	3
Applications	3
Main constructional features	3

Performance range

Performance range, S pumps	4
Performance range, S pumps, range 62	4

Identification

Type key	5
Nameplates	6

Selection of product

Ordering a pump	7
-----------------	---

Product range

Standard pumps	8
Explosion-proof pumps	12

Variants

List of variants	15
------------------	----

Construction

Sectional drawings, motors	16
Sectional drawings, pumps	20
Components and material specification	26

Product description

Features	27
Operating conditions	28
Motor range	28
Explosion-proof pumps	28
Pump controllers	29
Wiring diagrams	30

Curve charts/ Technical data

How to read the curve charts	32
Curve conditions	33
Performance tests	33
Certificates	33
Witness test	33

Performance curves

Technical data

Super-low pressure - 3 x 400/690 V	34
Super-low pressure - 3 x 415 V	36
Extra-low pressure - 3 x 400/690 V	38
Extra-low pressure - 3 x 415 V	40
Extra-low pressure - 3 x 400/690 V	42
Extra-low pressure - 3 x 415 V	44
Low pressure - 3 x 400/690 V	46
Low pressure - 3 x 415 V	48
Medium pressure - 3 x 400/690 V	50
Medium pressure - 3 x 415 V	52
High pressure - 3 x 400/690 V	54
High pressure - 3 x 415 V	56

Accessories

Accessories (for installation)	58
Other accessories	59

Dimensions

Installation on auto coupling	60
Dry, vertical installation on base stand	64
Dry, horizontal installation on base stand	65

Further product documentation

WebCAPS	66
WinCAPS	67

Introduction

This data booklet deals with Grundfos heavy-duty sewage pumps called S pumps, range 62.



GrA7836

Fig. 1 S pump, range 62

The S pumps, range 62, are a range of free-flow channel impeller pumps specifically designed for pumping sewage and wastewater in a wide range of municipal, private and industrial applications.

The pumps are made of resistant materials, such as cast iron and stainless steel. These materials ensure a proper operation.

The pumps are fitted with motors from 15 kW up to 50 kW. The motors are either 4, 8- or 12-pole motors, depending on the motor size.

The free passage in the pumps is 80 to 145 mm.

The pumps are available for:

- submerged installation on auto-coupling system
- submerged installation, free-standing
- dry installation, vertical
- dry installation, horizontal.

Applications

The S pumps, range 62, are designed for applications, such as:

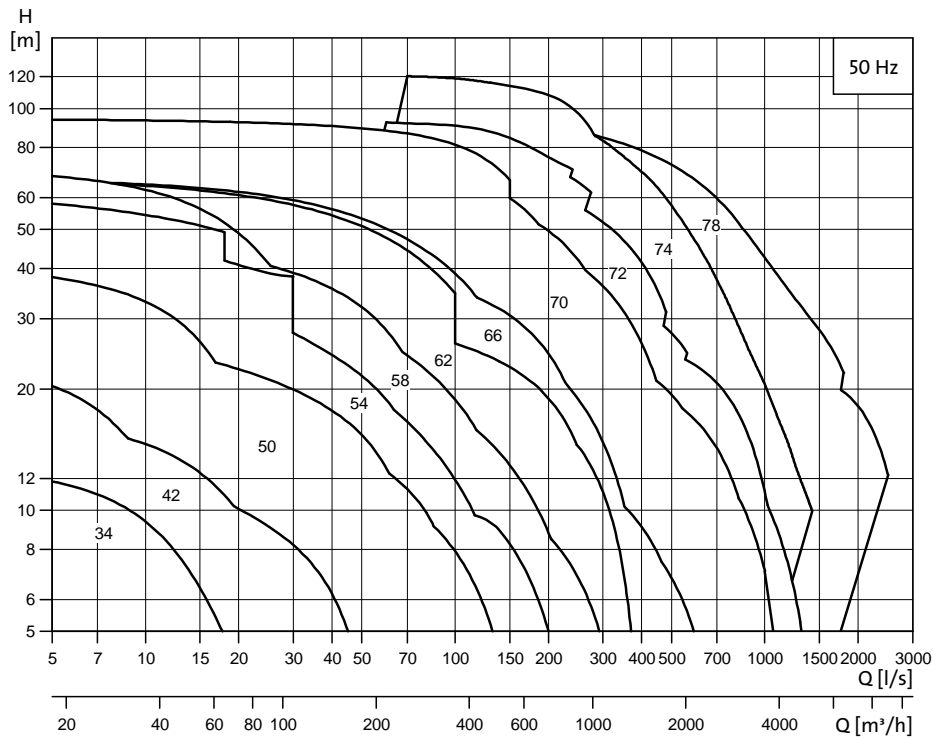
- raw water intake
- wastewater treatment plants
- municipal pumping stations
- public buildings
- blocks of flats
- industries
- garages
- underground car parks
- car wash areas
- restaurants and hotels.

The pumps are suitable for both temporary and permanent installation. The lifting bracket fitted on the pumps facilitates easy transportation to as well as installation at the installation site.

Main constructional features

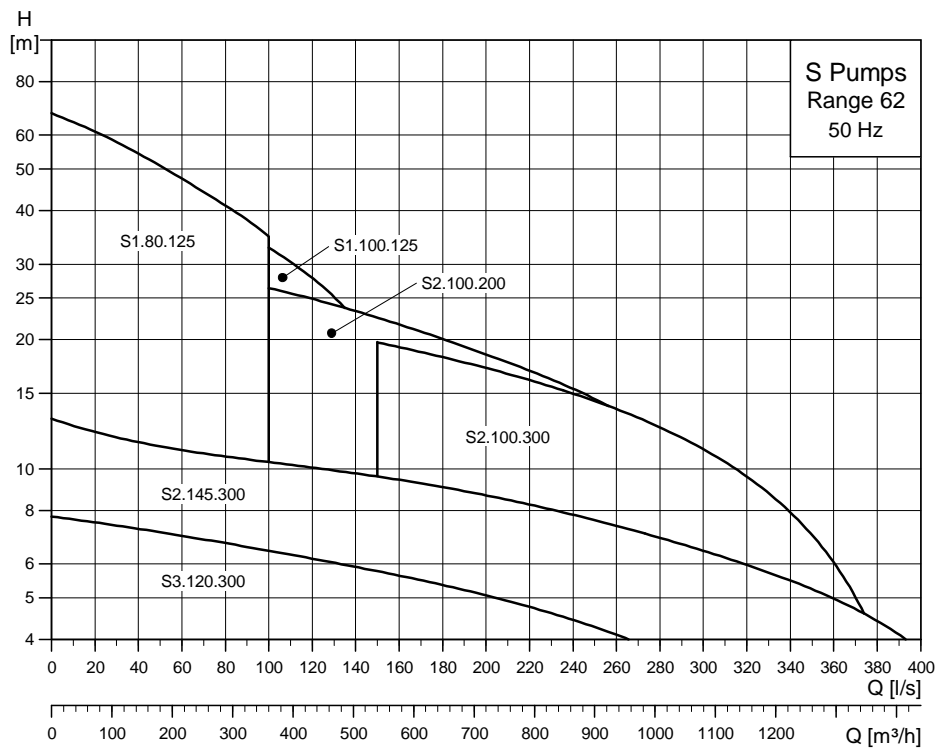
- leak-proof connections via the Grundfos SmartSeal gasket system
- double mechanical shaft seal system for reliable sealing between pumped liquid and motor
- watertight cable entry of corrosion-resistant polyamide
- moisture switch for continuous monitoring of motor housing and automatic cut-off of power in case liquid penetrates
- self-cleaning channel impeller with long vanes reducing the risk of jamming or clogging, or SuperVortex impeller with high pumping efficiency and less downtime
- SmartTrim system allowing easy adjustment of impeller clearance and maintaining maximum pump efficiency over pump lifetime
- motor in insulation class F (155 °C), enclosure class IP68 with three thermal sensors in stator windings
- seal condition monitoring via water-in-oil sensor (optional)
- explosion-proof motors for applications involving high risk of explosion
- three stainless steel versions for use in corrosive or aggressive liquids:
 - stainless steel impeller, cast iron pump and motor housing
 - stainless steel pump housing, flange and impeller, cast iron motor housing
 - made entirely of corrosion-resistant stainless steel.

Performance range, S pumps



TM03 5469 3706

Performance range, S pumps, range 62



TM04 1876 1308

Type key

Code	Example	S	1	.80	.125	.300	4	.62H	.S	.338	.G	.N	.D
Pump type:													
S	Grundfos sewage and wastewater pump												
ST	Multi-channel impeller pump installed in a column pipe												
Impeller type:													
1	Single-channel impeller												
V	SuperVortex (free-flow) impeller												
Pump passage:													
Maximum solids size [mm]													
Pump discharge:													
Nominal diameter of pump discharge port [mm]													
Output power, P2:													
P2 = Code number from type designation/10 [kW]													
Number of poles:													
4	4-pole motor												
8	8-pole motor												
12	12-pole motor												
Pump range / Pressure version:													
62H	High pressure												
62M	Medium pressure												
62L	Low pressure												
62E	Extra-low pressure												
62F	Super-low pressure												
Installation:													
S	Submersible installation without cooling jacket												
C	Submersible installation with cooling jacket												
D	Dry installation, vertical												
H	Dry installation, horizontal.												
Actual impeller diameter:													
[mm]													
Material code for impeller, pump and motor housing:													
G	Impeller, pump housing and motor housing: Cast iron												
Q	Impeller: Stainless steel DIN W.-Nr. 1.4408												
Pump version:													
N	Non-explosion-proof pump												
Ex	Explosion-proof pump												
Sensor version:													
B	B = S pump with built-in SM 111 module. PTC sensors are connected directly to IO 111 or other PTC relay.												
C	C = Not in use												
D	D = S pump without built-in SM 111 module.												
Z	Custom-built products												

Nameplates

Pump nameplate

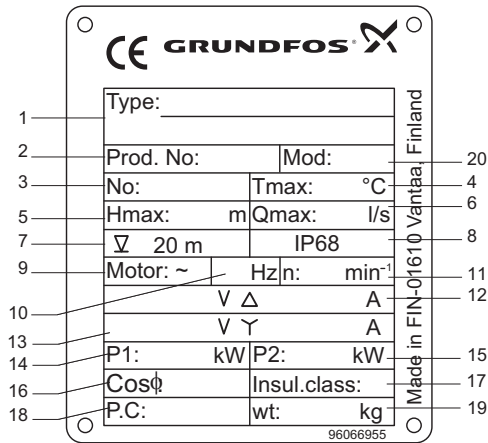


Fig. 2 Pump nameplate

Pos.	Description
1	Type designation
2	SAP code
3	Serial number
4	Maximum liquid temperature
5	Maximum head
6	Maximum flow
7	Maximum installation depth
8	Enclosure class
9	Number of phases
10	Frequency
11	Rated speed
12	Voltage/current, delta connection
13	Voltage/current, star connection
14	Power input
15	Shaft power
16	Power factor
17	Insulation class
18	Production code, year/week
19	Weight of the pump
20	Model

Ex approval plates



Fig. 3 Ex approval plates

The approval plate gives the following details:

Pos.	Description
Ex	EU ex-symbol
II	Equipment group (II = non-mining)
2	Equipment category (high protection)
G	Type of explosive atmosphere
CE	CE mark
1180	Number of quality assurance notified body
Ex	Motor explosion-proof according to European standard
b	Control of ignition sources
c	Constructional safety
d	Motor withstands explosion pressure
IIB	Gas group (Ethylene)
T3	Maximum surface temperature of the motor is 200 °C
T4	Maximum surface temperature of the motor is 135 °C
Gb	Equipment protection level, zone 1
Baseefa	Certificate number
IECEx	Certificate number

Ordering a pump

When ordering an S pump, range 62, you need to take the following four aspects into consideration.

1. Pump
2. Custom-built variation (option)
3. Accessories
4. Controller.

Pump

Use the [Product range](#) on page 8 and the [Type key](#) on page 5 to identify the pump that best fulfils your needs. The list below is a detailed description of the product you get if you order the following pump:

Pump	Product no
S1.80.125.300.4.62H.S.338.G.N.D	95113209

- Pump as specified in the type key
- 10 m cable
- Paint: Graphic grey, NCS S8005-R80B, thickness 150 µ
- Three thermal switches (Klixon), one in each phase, or three thermal sensors (PTC)
- One moisture switch below the motor top cover (two moisture switches below the motor top cover on explosion-proof versions)
- Test according to DIN 9906, Annex A.

See section [Performance curves Technical data](#) for selection of a standard pump.

Note: Product specific data for the pump can also be seen in WebCAPS using the product number [95113209](#).

Custom-built variants

The S pumps can be customised to meet individual requirements. Many pump features and options are available for customisation, e.g. explosion-proof versions, various cable lengths or special materials.

Variants can be seen in [List of variants](#) on page 15. For requirements or designs not included in the list, contact Grundfos.

Accessories

Depending on the installation type, you may need to order accessories. See [Accessories](#) page 58 for selection of the correct accessories.

Note: Ordered accessories are not fitted from factory.

Controller

The following controllers are available:

- LC/LCD 107 with level pickups
- LC/LCD 108 with float switches
- LC/LCD 110 with level electrodes.

Standard pumps

Cast iron, 3 x 400/690 V

Pump type	Cable length [m]	Pump	Accessories			
			***Horizontal base stand	Vertical base stand	**Auto-coupling system	*Ring stand for portable use
S1.80.125.300.4.62H.S.338.G.N.D	10	95113209	-	-	96782145	-
S1.80.125.300.4.62H.C.338.G.N.D	10	95113210	-	-	96782145	-
S1.80.125.300.4.62H.H.338.G.N.D	10	95113211	96787496	-	-	-
S1.80.125.300.4.62H.D.338.G.N.D	10	95113644	-	96308238	-	-
S1.80.125.400.4.62H.S.374.G.N.D	10	95113212	-	-	96782145	-
S1.80.125.400.4.62H.C.374.G.N.D	10	95113213	-	-	96782145	-
S1.80.125.400.4.62H.H.374.G.N.D	10	95113214	96787496	-	-	-
S1.80.125.400.4.62H.D.374.G.N.D	10	95113647	-	96308238	-	-
S1.80.125.500.4.62H.S.398.G.N.D	10	95113215	-	-	96782145	-
S1.80.125.500.4.62H.C.398.G.N.D	10	95113216	-	-	96782145	-
S1.80.125.500.4.62H.H.398.G.N.D	10	95113217	96787496	-	-	-
S1.80.125.500.4.62H.D.398.G.N.D	10	95113650	-	96308238	-	-
S1.100.125.300.4.62M.S.314.G.N.D	10	95113239	-	-	96782145	-
S1.100.125.300.4.62M.C.314.G.N.D	10	95113240	-	-	96782145	-
S1.100.125.300.4.62M.H.314.G.N.D	10	95113241	96787497	-	-	-
S1.100.125.300.4.62M.D.314.G.N.D	10	95113659	-	96094523	-	-
S1.100.125.400.4.62M.S.345.G.N.D	10	95113242	-	-	96782145	-
S1.100.125.400.4.62M.C.345.G.N.D	10	95113243	-	-	96782145	-
S1.100.125.400.4.62M.H.345.G.N.D	10	95113244	96787497	-	-	-
S1.100.125.400.4.62M.D.345.G.N.D	10	96787705	-	96094523	-	-
S1.100.125.500.4.62M.S.367.G.N.D	10	95113245	-	-	96782145	-
S1.100.125.500.4.62M.C.367.G.N.D	10	95113246	-	-	96782145	-
S1.100.125.500.4.62M.H.367.G.N.D	10	95113247	96787497	-	-	-
S1.100.125.500.4.62M.D.367.G.N.D	10	96787709	-	96094523	-	-
S2.100.200.400.4.62L.S.285.G.N.D	10	95113224	-	-	96641489	-
S2.100.200.400.4.62L.C.285.G.N.D	10	95113225	-	-	96641489	-
S2.100.200.400.4.62L.H.285.G.N.D	10	95113226	96787498	-	-	-
S2.100.200.400.4.62L.D.285.G.N.D	10	95113653	-	96094525	-	-
S2.100.200.500.4.62L.S.290.G.N.D	10	95113227	-	-	96641489	-
S2.100.200.500.4.62L.C.290.G.N.D	10	95113228	-	-	96641489	-
S2.100.200.500.4.62L.H.290.G.N.D	10	95113229	96787498	-	-	-
S2.100.200.500.4.62L.D.290.G.N.D	10	95113656	-	96094525	-	-
S2.100.300.300.4.62E.S.253.G.N.D	10	95113230	-	-	96782484	-
S2.100.300.300.4.62E.C.253.G.N.D	10	95113231	-	-	96782484	-
S2.100.300.300.4.62E.D.253.G.N.D	10	95113232	-	96094525	-	-
S2.100.300.300.4.62E.H.253.G.N.D	10	96783255	96787499	-	-	-
S2.100.300.400.4.62E.S.281.G.N.D	10	95113233	-	-	96782484	-
S2.100.300.400.4.62E.C.281.G.N.D	10	95113234	-	-	96782484	-
S2.100.300.400.4.62E.D.281.G.N.D	10	95113235	-	96094525	-	-
S2.100.300.400.4.62E.H.281.G.N.D	10	96783260	96787499	-	-	-
S2.100.300.500.4.62E.S.289.G.N.D	10	95113236	-	-	96782484	-
S2.100.300.500.4.62E.C.289.G.N.D	10	95113237	-	-	96782484	-
S2.100.300.500.4.62E.D.289.G.N.D	10	95113238	-	96094525	-	-
S2.100.300.500.4.62E.H.289.G.N.D	10	96783265	96787499	-	-	-
S2.145.300.200.8.62E.S.388.G.N.D	10	95113218	-	-	96782484	-
S2.145.300.200.8.62E.C.388.G.N.D	10	95113219	-	-	96782484	-
S2.145.300.200.8.62E.D.388.G.N.D	10	95113220	-	96308239	-	-
S2.145.300.200.8.62E.H.388.G.N.D	10	96783239	96787500	-	-	-
S2.145.300.280.8.62E.S.421.G.N.D	10	95113221	-	-	96782484	-
S2.145.300.280.8.62E.C.421.G.N.D	10	95113222	-	-	96782484	-
S2.145.300.280.8.62E.D.421.G.N.D	10	95113223	-	96308239	-	-
S2.145.300.280.8.62E.H.421.G.N.D	10	96783244	96787500	-	-	-
S3.120.300.150.12.62F.S.449.G.N.D	10	95113248	-	-	96782484	-
S3.120.300.150.12.62F.C.449.G.N.D	10	95113249	-	-	96782484	-
S3.120.300.150.12.62F.D.449.G.N.D	10	95113250	-	96308239	-	-
S3.120.300.150.12.62F.H.449.G.N.D	10	96783279	96787500	-	-	-

* Without hose connection.

** Installation type S and C pumps with discharge flange size DN 250 and higher are supplied with guide claw mounted on the flange.

*** The horizontal base stand is included in the pump product number.

Cast iron, 3 x 415 V

Pump type	Cable length [m]	Pump	Accessories			
			***Horizontal base stand	To be ordered separately		
				Vertical base stand	**Auto-coupling system	*Ring stand for portable use
S1.80.125.300.4.62H.D.338.G.N.D	10	96781861	-	96308238	-	-
S1.80.125.300.4.62H.S.338.G.N.D	10	96783227	-	-	96782145	-
S1.80.125.300.4.62H.C.338.G.N.D	10	96783228	-	-	96782145	-
S1.80.125.300.4.62H.H.338.G.N.D	10	96783229	96787496	-	-	-
S1.80.125.300.4.62H.S.338.G.N.D	15	96810422	-	-	96782145	-
S1.80.125.300.4.62H.C.338.G.N.D	15	96810423	-	-	96782145	-
S1.80.125.300.4.62H.D.338.G.N.D	15	96810424	-	96308238	-	-
S1.80.125.300.4.62H.H.338.G.N.D	15	96810425	96787496	-	-	-
S1.80.125.400.4.62H.S.374.G.N.D	10	96783230	-	-	96782145	-
S1.80.125.400.4.62H.S.374.G.N.D	15	96810426	-	-	96782145	-
S1.80.125.400.4.62H.D.374.G.N.D	10	96781864	-	96308238	-	-
S1.80.125.400.4.62H.C.374.G.N.D	10	96783231	-	-	96782145	-
S1.80.125.400.4.62H.H.374.G.N.D	10	96783232	96787496	-	-	-
S1.80.125.400.4.62H.C.374.G.N.D	15	96810427	-	-	96782145	-
S1.80.125.400.4.62H.D.374.G.N.D	15	96810428	-	96308238	-	-
S1.80.125.400.4.62H.H.374.G.N.D	15	96810429	96787496	-	-	-
S1.80.125.500.4.62H.D.398.G.N.D	10	96781867	-	96308238	-	-
S1.80.125.500.4.62H.S.398.G.N.D	10	96783233	-	-	96782145	-
S1.80.125.500.4.62H.C.398.G.N.D	10	96783234	-	-	96782145	-
S1.80.125.500.4.62H.H.398.G.N.D	10	96783235	96787496	-	-	-
S1.80.125.500.4.62H.S.398.G.N.D	15	96810430	-	-	96782145	-
S1.80.125.500.4.62H.C.398.G.N.D	15	96810431	-	-	96782145	-
S1.80.125.500.4.62H.D.398.G.N.D	15	96810432	-	96308238	-	-
S1.80.125.500.4.62H.H.398.G.N.D	15	96810433	96787496	-	-	-
S1.100.125.300.4.62M.D.314.G.N.D	10	96781876	-	96094523	-	-
S1.100.125.300.4.62M.S.314.G.N.D	10	96783267	-	-	96782145	-
S1.100.125.300.4.62M.C.314.G.N.D	10	96783268	-	-	96782145	-
S1.100.125.300.4.62M.H.314.G.N.D	10	96783269	96787497	-	-	-
S1.100.125.300.4.62M.S.314.G.N.D	15	96810462	-	-	96782145	-
S1.100.125.300.4.62M.C.314.G.N.D	15	96810463	-	-	96782145	-
S1.100.125.300.4.62M.D.314.G.N.D	15	96810465	-	96094523	-	-
S1.100.125.300.4.62M.H.314.G.N.D	15	96810466	96787497	-	-	-
S1.100.125.400.4.62M.S.345.G.N.D	10	96783270	-	-	96782145	-
S1.100.125.400.4.62M.S.345.G.N.D	15	96810467	-	-	96782145	-
S1.100.125.400.4.62M.C.345.G.N.D	10	96783271	-	-	96782145	-
S1.100.125.400.4.62M.H.345.G.N.D	10	96783272	96787497	-	-	-
S1.100.125.400.4.62M.D.345.G.N.D	10	96787707	-	96094523	-	-
S1.100.125.400.4.62M.C.345.G.N.D	15	96810468	-	-	96782145	-
S1.100.125.400.4.62M.D.345.G.N.D	15	96810469	-	96094523	-	-
S1.100.125.400.4.62M.H.345.G.N.D	15	96810470	96787497	-	-	-
S1.100.125.500.4.62M.S.367.G.N.D	10	96783273	-	-	96782145	-
S1.100.125.500.4.62M.C.367.G.N.D	10	96783274	-	-	96782145	-
S1.100.125.500.4.62M.H.367.G.N.D	10	96783275	96787497	-	-	-
S1.100.125.500.4.62M.D.367.G.N.D	10	96787710	-	96094523	-	-
S1.100.125.500.4.62M.S.367.G.N.D	15	96810471	-	-	96782145	-
S1.100.125.500.4.62M.C.367.G.N.D	15	96810472	-	-	96782145	-
S1.100.125.500.4.62M.D.367.G.N.D	15	96810473	-	96094523	-	-
S1.100.125.500.4.62M.H.367.G.N.D	15	96810474	96787497	-	-	-
S2.100.200.400.4.62L.S.285.G.N.D	10	96783246	-	-	96641489	-
S2.100.200.400.4.62L.S.285.G.N.D	15	96810442	-	-	96641489	-
S2.100.200.400.4.62L.D.285.G.N.D	10	96781870	-	96094525	-	-
S2.100.200.400.4.62L.C.285.G.N.D	10	96783247	-	-	96641489	-
S2.100.200.400.4.62L.H.285.G.N.D	10	96783248	96787498	-	-	-
S2.100.200.400.4.62L.C.285.G.N.D	15	96810443	-	-	96641489	-
S2.100.200.400.4.62L.D.285.G.N.D	15	96810444	-	96094525	-	-
S2.100.200.400.4.62L.H.285.G.N.D	15	96810445	96787498	-	-	-
S2.100.200.500.4.62L.D.290.G.N.D	10	96781873	-	96094525	-	-
S2.100.200.500.4.62L.S.290.G.N.D	10	96783249	-	-	96641489	-
S2.100.200.500.4.62L.C.290.G.N.D	10	96783250	-	-	96641489	-
S2.100.200.500.4.62L.H.290.G.N.D	10	96783251	96787498	-	-	-
S2.100.200.500.4.62L.S.290.G.N.D	15	96810446	-	-	96641489	-
S2.100.200.500.4.62L.C.290.G.N.D	15	96810447	-	-	96641489	-

Pump type	Cable length [m]	Pump	Accessories			
			***Horizontal base stand	To be ordered separately		
				Vertical base stand	**Auto-coupling system	*Ring stand for portable use
S2.100.200.500.4.62L.D.290.G.N.D	15	96810448	-	96094525	-	-
S2.100.200.500.4.62L.H.290.G.N.D	15	96810449	96787498	-	-	-
S2.100.300.300.4.62E.S.253.G.N.D	10	96783252	-	-	96782484	-
S2.100.300.300.4.62E.C.253.G.N.D	10	96783253	-	-	96782484	-
S2.100.300.300.4.62E.D.253.G.N.D	10	96783254	-	96094525	-	-
S2.100.300.300.4.62E.H.253.G.N.D	10	96783256	96787499	-	-	-
S2.100.300.300.4.62E.S.253.G.N.D	15	96810450	-	-	96782484	-
S2.100.300.300.4.62E.C.253.G.N.D	15	96810451	-	-	96782484	-
S2.100.300.300.4.62E.D.253.G.N.D	15	96810452	-	96094525	-	-
S2.100.300.300.4.62E.H.253.G.N.D	15	96810453	96787499	-	-	-
S2.100.300.400.4.62E.S.281.G.N.D	10	96783257	-	-	96782484	-
S2.100.300.400.4.62E.S.281.G.N.D	15	96810454	-	-	96782484	-
S2.100.300.400.4.62E.C.281.G.N.D	10	96783258	-	-	96782484	-
S2.100.300.400.4.62E.D.281.G.N.D	10	96783259	-	96094525	-	-
S2.100.300.400.4.62E.H.281.G.N.D	10	96783261	96787499	-	-	-
S2.100.300.400.4.62E.C.281.G.N.D	15	96810455	-	-	96782484	-
S2.100.300.400.4.62E.D.281.G.N.D	15	96810456	-	96094525	-	-
S2.100.300.400.4.62E.H.281.G.N.D	15	96810457	96787499	-	-	-
S2.100.300.500.4.62E.S.289.G.N.D	10	96783262	-	-	96782484	-
S2.100.300.500.4.62E.C.289.G.N.D	10	96783263	-	-	96782484	-
S2.100.300.500.4.62E.D.289.G.N.D	10	96783264	-	96094525	-	-
S2.100.300.500.4.62E.H.289.G.N.D	10	96783266	96787499	-	-	-
S2.100.300.500.4.62E.S.289.G.N.D	15	96810458	-	-	96782484	-
S2.100.300.500.4.62E.C.289.G.N.D	15	96810459	-	-	96782484	-
S2.100.300.500.4.62E.D.289.G.N.D	15	96810460	-	96094525	-	-
S2.100.300.500.4.62E.H.289.G.N.D	15	96810461	96787499	-	-	-
S2.145.300.200.8.62E.S.388.G.N.D	10	96783236	-	-	96782484	-
S2.145.300.200.8.62E.C.388.G.N.D	10	96783237	-	-	96782484	-
S2.145.300.200.8.62E.D.388.G.N.D	10	96783238	-	96308239	-	-
S2.145.300.200.8.62E.H.388.G.N.D	10	96783240	96787500	-	-	-
S2.145.300.200.8.62E.S.388.G.N.D	15	96810434	-	-	96782484	-
S2.145.300.200.8.62E.C.388.G.N.D	15	96810435	-	-	96782484	-
S2.145.300.200.8.62E.D.388.G.N.D	15	96810436	-	96308239	-	-
S2.145.300.200.8.62E.H.388.G.N.D	15	96810437	96787500	-	-	-
S2.145.300.280.8.62E.S.421.G.N.D	10	96783241	-	-	96782484	-
S2.145.300.280.8.62E.C.421.G.N.D	10	96783242	-	-	96782484	-
S2.145.300.280.8.62E.D.421.G.N.D	10	96783243	-	96308239	-	-
S2.145.300.280.8.62E.H.421.G.N.D	10	96783245	96787500	-	-	-
S2.145.300.280.8.62E.S.421.G.N.D	15	96810438	-	-	96782484	-
S2.145.300.280.8.62E.C.421.G.N.D	15	96810439	-	-	96782484	-
S2.145.300.280.8.62E.D.421.G.N.D	15	96810440	-	96308239	-	-
S2.145.300.280.8.62E.H.421.G.N.D	15	96810441	96787500	-	-	-
S3.120.300.150.12.62F.S.449.G.N.D	10	96783276	-	-	96782484	-
S3.120.300.150.12.62F.C.449.G.N.D	10	96783277	-	-	96782484	-
S3.120.300.150.12.62F.D.449.G.N.D	10	96783278	-	96308239	-	-
S3.120.300.150.12.62F.H.449.G.N.D	10	96783280	96787500	-	-	-
S3.120.300.150.12.62F.S.449.G.N.D	15	96810475	-	-	96782484	-
S3.120.300.150.12.62F.C.449.G.N.D	15	96810476	-	-	96782484	-
S3.120.300.150.12.62F.D.449.G.N.D	15	96810477	-	96308239	-	-
S3.120.300.150.12.62F.H.449.G.N.D	15	96810478	96787500	-	-	-

* Without hose connection.

** Installation type S and C pumps with discharge flange size DN 250 and higher are supplied with guide claw mounted on the flange.

*** The horizontal base stand is included in the pump product number.

Stainless steel impeller, 3 x 400/690 V

Pump type	Pump	Accessories			
		***Horizontal base stand	To be ordered separately		
			Vertical base stand	**Auto-coupling system	*Ring stand for portable use
S1.80.125.300.4.62H.S.338.Q.N.D	96811580	-	-	96782145	-
S1.80.125.300.4.62H.C.338.Q.N.D	96811581	-	-	96782145	-
S1.80.125.300.4.62H.D.338.Q.N.D	96811592	-	96308238	-	-
S1.80.125.300.4.62H.H.338.Q.N.D	96811593	96787496	-	-	-
S1.80.125.400.4.62H.S.374.Q.N.D	96811594	-	-	96782145	-
S1.80.125.400.4.62H.C.374.Q.N.D	96811595	-	-	96782145	-
S1.80.125.400.4.62H.D.374.Q.N.D	96811596	-	96308238	-	-
S1.80.125.400.4.62H.H.374.Q.N.D	96811597	96787496	-	-	-
S1.80.125.500.4.62H.S.398.Q.N.D	96811598	-	-	96782145	-
S1.80.125.500.4.62H.C.398.Q.N.D	96811599	-	-	96782145	-
S1.80.125.500.4.62H.D.398.Q.N.D	96811600	-	96308238	-	-
S1.80.125.500.4.62H.H.398.Q.N.D	96811601	96787496	-	-	-
S1.100.125.300.4.62M.S.314.Q.N.D	96811625	-	-	96782145	-
S1.100.125.300.4.62M.C.314.Q.N.D	96811626	-	-	96782145	-
S1.100.125.300.4.62M.D.314.Q.N.D	96811627	-	96094523	-	-
S1.100.125.300.4.62M.H.314.Q.N.D	96811628	96787497	-	-	-
S1.100.125.400.4.62M.S.345.Q.N.D	96811629	-	-	96782145	-
S1.100.125.400.4.62M.C.345.Q.N.D	96811630	-	-	96782145	-
S1.100.125.400.4.62M.D.345.Q.N.D	96811631	-	96094523	-	-
S1.100.125.400.4.62M.H.345.Q.N.D	96811632	96787497	-	-	-
S1.100.125.500.4.62M.S.367.Q.N.D	96811633	-	-	96782145	-
S1.100.125.500.4.62M.C.367.Q.N.D	96811634	-	-	96782145	-
S1.100.125.500.4.62M.D.367.Q.N.D	96811635	-	96094523	-	-
S1.100.125.500.4.62M.H.367.Q.N.D	96811636	96787497	-	-	-
S2.100.200.400.4.62L.S.285.Q.N.D	96811608	-	-	96641489	-
S2.100.200.400.4.62L.C.285.Q.N.D	96811609	-	-	96641489	-
S2.100.200.400.4.62L.D.285.Q.N.D	96811610	-	96094525	-	-
S2.100.200.400.4.62L.H.285.Q.N.D	96811611	96787498	-	-	-
S2.100.200.500.4.62L.S.290.Q.N.D	96811612	-	-	96641489	-
S2.100.200.500.4.62L.C.290.Q.N.D	96811613	-	-	96641489	-
S2.100.200.500.4.62L.D.290.Q.N.D	96811614	-	96094525	-	-
S2.100.200.500.4.62L.H.290.Q.N.D	96811615	96787498	-	-	-
S2.100.300.300.4.62E.S.253.Q.N.D	96811616	-	-	96782484	-
S2.100.300.300.4.62E.C.253.Q.N.D	96811617	-	-	96782484	-
S2.100.300.300.4.62E.D.253.Q.N.D	96811618	-	96094525	-	-
S2.100.300.300.4.62E.H.253.Q.N.D	96811642	96787499	-	-	-
S2.100.300.400.4.62E.S.281.Q.N.D	96811619	-	-	96782484	-
S2.100.300.400.4.62E.C.281.Q.N.D	96811620	-	-	96782484	-
S2.100.300.400.4.62E.D.281.Q.N.D	96811621	-	96094525	-	-
S2.100.300.400.4.62E.H.281.Q.N.D	96811643	96787499	-	-	-
S2.100.300.500.4.62E.S.289.Q.N.D	96811622	-	-	96782484	-
S2.100.300.500.4.62E.C.289.Q.N.D	96811623	-	-	96782484	-
S2.100.300.500.4.62E.D.289.Q.N.D	96811624	-	96094525	-	-
S2.100.300.500.4.62E.H.289.Q.N.D	96811644	96787499	-	-	-
S2.145.300.200.8.62E.S.388.Q.N.D	96811602	-	-	96782484	-
S2.145.300.200.8.62E.C.388.Q.N.D	96811603	-	-	96782484	-
S2.145.300.200.8.62E.D.388.Q.N.D	96811604	-	96308239	-	-
S2.145.300.200.8.62E.H.388.Q.N.D	96811640	96787500	-	-	-
S2.145.300.280.8.62E.S.421.Q.N.D	96811605	-	-	96782484	-
S2.145.300.280.8.62E.C.421.Q.N.D	96811606	-	-	96782484	-
S2.145.300.280.8.62E.D.421.Q.N.D	96811607	-	96308239	-	-
S2.145.300.280.8.62E.H.421.Q.N.D	96811641	96787500	-	-	-
S3.120.300.150.12.62F.S.449.Q.N.D	96811637	-	-	96782484	-
S3.120.300.150.12.62F.C.449.Q.N.D	96811638	-	-	96782484	-
S3.120.300.150.12.62F.D.449.Q.N.D	96811639	-	96308239	-	-
S3.120.300.150.12.62F.H.449.Q.N.D	96811645	96787500	-	-	-

* Without hose connection.

** Installation type S and C pumps with discharge flange size DN 250 and higher are supplied with guide claw mounted on the flange.

*** The horizontal base stand is included in the pump product number.

Explosion-proof pumps

Cast iron, 3 x 400/690 V

Pump type	Cable length [m]	Pump	Accessories			
			***Horizontal base stand	To be ordered separately		
				Vertical base stand	**Auto-coupling system	*Ring stand for portable use
S1.80.125.300.4.62H.S.338.G.EX.D	10	95113260	-	-	96782145	-
S1.80.125.300.4.62H.C.338.G.EX.D	10	95113261	-	-	96782145	-
S1.80.125.300.4.62H.H.338.G.EX.D	10	95113262	96787496	-	-	-
S1.80.125.300.4.62H.D.338.G.EX.D	10	96788055	-	96308238	-	-
S1.80.125.400.4.62H.S.374.G.EX.D	10	95113266	-	-	96782145	-
S1.80.125.400.4.62H.C.374.G.EX.D	10	95113267	-	-	96782145	-
S1.80.125.400.4.62H.H.374.G.EX.D	10	95113268	96787496	-	-	-
S1.80.125.400.4.62H.D.374.G.EX.D	10	96788057	-	96308238	-	-
S1.80.125.500.4.62H.S.398.G.EX.D	10	95113272	-	-	96782145	-
S1.80.125.500.4.62H.C.398.G.EX.D	10	95113273	-	-	96782145	-
S1.80.125.500.4.62H.H.398.G.EX.D	10	95113274	96787496	-	-	-
S1.80.125.500.4.62H.D.398.G.EX.D	10	96788059	-	96308238	-	-
S1.100.125.300.4.62M.S.314.G.EX.D	10	95113263	-	-	96782145	-
S1.100.125.300.4.62M.C.314.G.EX.D	10	95113264	-	-	96782145	-
S1.100.125.300.4.62M.H.314.G.EX.D	10	95113265	96787497	-	-	-
S1.100.125.300.4.62M.D.314.G.EX.D	10	96788056	-	96094523	-	-
S1.100.125.400.4.62M.S.345.G.EX.D	10	95113269	-	-	96782145	-
S1.100.125.400.4.62M.C.345.G.EX.D	10	95113270	-	-	96782145	-
S1.100.125.400.4.62M.H.345.G.EX.D	10	95113271	96787497	-	-	-
S1.100.125.400.4.62M.D.345.G.EX.D	10	96788058	-	96094523	-	-
S1.100.125.500.4.62M.S.367.G.EX.D	10	95113275	-	-	96782145	-
S1.100.125.500.4.62M.C.367.G.EX.D	10	95113276	-	-	96782145	-
S1.100.125.500.4.62M.H.367.G.EX.D	10	95113277	96787497	-	-	-
S1.100.125.500.4.62M.D.367.G.EX.D	10	96788060	-	96094523	-	-
S2.100.200.400.4.62L.S.285.G.EX.D	10	95113287	-	-	96641489	-
S2.100.200.400.4.62L.C.285.G.EX.D	10	95113288	-	-	96641489	-
S2.100.200.400.4.62L.H.285.G.EX.D	10	95113289	96787498	-	-	-
S2.100.200.400.4.62L.D.285.G.EX.D	10	96788061	-	96094525	-	-
S2.100.200.500.4.62L.S.290.G.EX.D	10	95113293	-	-	96641489	-
S2.100.200.500.4.62L.C.290.G.EX.D	10	95113294	-	-	96641489	-
S2.100.200.500.4.62L.H.290.G.EX.D	10	95113295	96787498	-	-	-
S2.100.200.500.4.62L.D.290.G.EX.D	10	96788072	-	96094525	-	-
S2.100.300.300.4.62E.S.253.G.EX.D	10	95113284	-	-	96782484	-
S2.100.300.300.4.62E.C.253.G.EX.D	10	95113285	-	-	96782484	-
S2.100.300.300.4.62E.D.253.G.EX.D	10	95113286	-	96094525	-	-
S2.100.300.300.4.62E.H.253.G.EX.D	10	96784050	96787499	-	-	-
S2.100.300.400.4.62E.S.281.G.EX.D	10	95113290	-	-	96782484	-
S2.100.300.400.4.62E.C.281.G.EX.D	10	95113291	-	-	96782484	-
S2.100.300.400.4.62E.D.281.G.EX.D	10	95113292	-	96094525	-	-
S2.100.300.400.4.62E.H.281.G.EX.D	10	96784058	96787499	-	-	-
S2.100.300.500.4.62E.S.289.G.EX.D	10	95113296	-	-	96782484	-
S2.100.300.500.4.62E.C.289.G.EX.D	10	95113297	-	-	96782484	-
S2.100.300.500.4.62E.D.289.G.EX.D	10	95113298	-	96094525	-	-
S2.100.300.500.4.62E.H.289.G.EX.D	10	96784066	96787499	-	-	-
S2.145.300.200.8.62E.S.388.G.EX.D	10	95113278	-	-	96782484	-
S2.145.300.200.8.62E.C.388.G.EX.D	10	95113279	-	-	96782484	-
S2.145.300.200.8.62E.D.388.G.EX.D	10	95113280	-	96308239	-	-
S2.145.300.200.8.62E.H.388.G.EX.D	10	96784040	96787500	-	-	-
S2.145.300.280.8.62E.S.421.G.EX.D	10	95113281	-	-	96782484	-
S2.145.300.280.8.62E.C.421.G.EX.D	10	95113282	-	-	96782484	-
S2.145.300.280.8.62E.D.421.G.EX.D	10	95113283	-	96308239	-	-
S2.145.300.280.8.62E.H.421.G.EX.D	10	96784045	96787500	-	-	-
S3.120.300.150.12.62F.S.449.G.EX.D	10	95113299	-	-	96782484	-
S3.120.300.150.12.62F.C.449.G.EX.D	10	95113300	-	-	96782484	-
S3.120.300.150.12.62F.D.449.G.EX.D	10	95113301	-	96308239	-	-
S3.120.300.150.12.62F.H.449.G.EX.D	10	96784071	96787500	-	-	-

* Without hose connection.

** Installation type S and C pumps with discharge flange size DN 250 and higher are supplied with guide claw mounted on the flange.

*** The horizontal base stand is included in the pump product number.

Cast iron, 3 x 415 V

Pump type	Cable length [m]	Pump	Accessories			
			***Horizontal base stand	To be ordered separately		
				Vertical base stand	**Auto-coupling system	*Ring stand for portable use
S1.80.125.300.4.62H.S.338.G.EX.D	10	96783979	-	-	96782145	-
S1.80.125.300.4.62H.C.338.G.EX.D	10	96783980	-	-	96782145	-
S1.80.125.300.4.62H.H.338.G.EX.D	10	96783981	96787496	-	-	-
S1.80.125.300.4.62H.D.338.G.EX.D	10	96788073	-	96308238	-	-
S1.80.125.400.4.62H.S.374.G.EX.D	10	96784025	-	-	96782145	-
S1.80.125.400.4.62H.C.374.G.EX.D	10	96784026	-	-	96782145	-
S1.80.125.400.4.62H.H.374.G.EX.D	10	96784027	96787496	-	-	-
S1.80.125.400.4.62H.D.374.G.EX.D	10	96788075	-	96308238	-	-
S1.80.125.500.4.62H.S.398.G.EX.D	10	96784031	-	-	96782145	-
S1.80.125.500.4.62H.C.398.G.EX.D	10	96784032	-	-	96782145	-
S1.80.125.500.4.62H.H.398.G.EX.D	10	96784033	96787496	-	-	-
S1.80.125.500.4.62H.D.398.G.EX.D	10	96788077	-	96308238	-	-
S1.100.125.300.4.62M.S.314.G.EX.D	10	96784022	-	-	96782145	-
S1.100.125.300.4.62M.C.314.G.EX.D	10	96784023	-	-	96782145	-
S1.100.125.300.4.62M.H.314.G.EX.D	10	96784024	96787497	-	-	-
S1.100.125.300.4.62M.D.314.G.EX.D	10	96788074	-	96094523	-	-
S1.100.125.400.4.62M.S.345.G.EX.D	10	96784028	-	-	96782145	-
S1.100.125.400.4.62M.C.345.G.EX.D	10	96784029	-	-	96782145	-
S1.100.125.400.4.62M.H.345.G.EX.D	10	96784030	96787497	-	-	-
S1.100.125.400.4.62M.D.345.G.EX.D	10	96788076	-	96094523	-	-
S1.100.125.500.4.62M.S.367.G.EX.D	10	96784034	-	-	96782145	-
S1.100.125.500.4.62M.C.367.G.EX.D	10	96784035	-	-	96782145	-
S1.100.125.500.4.62M.H.367.G.EX.D	10	96784036	96787497	-	-	-
S1.100.125.500.4.62M.D.367.G.EX.D	10	96788078	-	96094523	-	-
S2.100.200.400.4.62L.S.285.G.EX.D	10	96784052	-	-	96641489	-
S2.100.200.400.4.62L.C.285.G.EX.D	10	96784053	-	-	96641489	-
S2.100.200.400.4.62L.H.285.G.EX.D	10	96784054	96787498	-	-	-
S2.100.200.400.4.62L.D.285.G.EX.D	10	96788079	-	96094525	-	-
S2.100.200.500.4.62L.S.290.G.EX.D	10	96784060	-	-	96641489	-
S2.100.200.500.4.62L.C.290.G.EX.D	10	96784061	-	-	96641489	-
S2.100.200.500.4.62L.H.290.G.EX.D	10	96784062	96787498	-	-	-
S2.100.200.500.4.62L.D.290.G.EX.D	10	96788080	-	96094525	-	-
S2.100.300.300.4.62E.S.253.G.EX.D	10	96784047	-	-	96782484	-
S2.100.300.300.4.62E.C.253.G.EX.D	10	96784048	-	-	96782484	-
S2.100.300.300.4.62E.D.253.G.EX.D	10	96784049	-	96094525	-	-
S2.100.300.300.4.62E.H.253.G.EX.D	10	96784051	96787499	-	-	-
S2.100.300.400.4.62E.S.281.G.EX.D	10	96784055	-	-	96782484	-
S2.100.300.400.4.62E.C.281.G.EX.D	10	96784056	-	-	96782484	-
S2.100.300.400.4.62E.D.281.G.EX.D	10	96784057	-	96094525	-	-
S2.100.300.400.4.62E.H.281.G.EX.D	10	96784059	96787499	-	-	-
S2.100.300.500.4.62E.S.289.G.EX.D	10	96784063	-	-	96782484	-
S2.100.300.500.4.62E.C.289.G.EX.D	10	96784064	-	-	96782484	-
S2.100.300.500.4.62E.D.289.G.EX.D	10	96784065	-	96094525	-	-
S2.100.300.500.4.62E.H.289.G.EX.D	10	96784067	96787499	-	-	-
S2.145.300.200.8.62E.S.388.G.EX.D	10	96784037	-	-	96782484	-
S2.145.300.200.8.62E.C.388.G.EX.D	10	96784038	-	-	96782484	-
S2.145.300.200.8.62E.D.388.G.EX.D	10	96784039	-	96308239	-	-
S2.145.300.200.8.62E.H.388.G.EX.D	10	96784041	96787500	-	-	-
S2.145.300.280.8.62E.S.421.G.EX.D	10	96784042	-	-	96782484	-
S2.145.300.280.8.62E.C.421.G.EX.D	10	96784043	-	-	96782484	-
S2.145.300.280.8.62E.D.421.G.EX.D	10	96784044	-	96308239	-	-
S2.145.300.280.8.62E.H.421.G.EX.D	10	96784046	96787500	-	-	-
S3.120.300.150.12.62F.S.449.G.EX.D	10	96784068	-	-	96782484	-
S3.120.300.150.12.62F.C.449.G.EX.D	10	96784069	-	-	96782484	-
S3.120.300.150.12.62F.D.449.G.EX.D	10	96784070	-	96308239	-	-
S3.120.300.150.12.62F.H.449.G.EX.D	10	96784072	96787500	-	-	-

* Without hose connection.

** Installation type S and C pumps with discharge flange size DN 250 and higher are supplied with guide claw mounted on the flange.

*** The horizontal base stand is included in the pump product number.

Stainless steel impeller, 3 x 400/690 V

Pump type	Pump	Accessories			
		***Horizontal base stand	To be ordered separately		
			Vertical base stand	**Auto-coupling system	*Ring stand for portable use
S1.80.125.300.4.62H.S.338.Q.EX.D	96811646	-	-	96782145	-
S1.80.125.300.4.62H.C.338.Q.EX.D	96811648	-	-	96782145	-
S1.80.125.300.4.62H.D.338.Q.EX.D	96811649	-	96308238	-	-
S1.80.125.300.4.62H.H.338.Q.EX.D	96811650	96787496	-	-	-
S1.80.125.400.4.62H.S.374.Q.EX.D	96811651	-	-	96782145	-
S1.80.125.400.4.62H.C.374.Q.EX.D	96811652	-	-	96782145	-
S1.80.125.400.4.62H.D.374.Q.EX.D	96811653	-	96308238	-	-
S1.80.125.400.4.62H.H.374.Q.EX.D	96811654	96787496	-	-	-
S1.80.125.500.4.62H.S.398.Q.EX.D	96811655	-	-	96782145	-
S1.80.125.500.4.62H.C.398.Q.EX.D	96811656	-	-	96782145	-
S1.80.125.500.4.62H.D.398.Q.EX.D	96811657	-	96308238	-	-
S1.80.125.500.4.62H.H.398.Q.EX.D	96811658	96787496	-	-	-
S1.100.125.300.4.62M.S.314.Q.EX.D	96811682	-	-	96782145	-
S1.100.125.300.4.62M.C.314.Q.EX.D	96811683	-	-	96782145	-
S1.100.125.300.4.62M.D.314.Q.EX.D	96811684	-	96094523	-	-
S1.100.125.300.4.62M.H.314.Q.EX.D	96811685	96787497	-	-	-
S1.100.125.400.4.62M.S.345.Q.EX.D	96811686	-	-	96782145	-
S1.100.125.400.4.62M.C.345.Q.EX.D	96811687	-	-	96782145	-
S1.100.125.400.4.62M.D.345.Q.EX.D	96811688	-	96094523	-	-
S1.100.125.400.4.62M.H.345.Q.EX.D	96811689	96787497	-	-	-
S1.100.125.500.4.62M.S.367.Q.EX.D	96811690	-	-	96782145	-
S1.100.125.500.4.62M.C.367.Q.EX.D	96811691	-	-	96782145	-
S1.100.125.500.4.62M.D.367.Q.EX.D	96811692	-	96094523	-	-
S1.100.125.500.4.62M.H.367.Q.EX.D	96811693	96787497	-	-	-
S2.100.200.400.4.62L.S.285.Q.EX.D	96811665	-	-	96641489	-
S2.100.200.400.4.62L.C.285.Q.EX.D	96811666	-	-	96641489	-
S2.100.200.400.4.62L.D.285.Q.EX.D	96811667	-	96094525	-	-
S2.100.200.400.4.62L.H.285.Q.EX.D	96811668	96787498	-	-	-
S2.100.200.500.4.62L.S.290.Q.EX.D	96811669	-	-	96641489	-
S2.100.200.500.4.62L.C.290.Q.EX.D	96811670	-	-	96641489	-
S2.100.200.500.4.62L.D.290.Q.EX.D	96811671	-	96094525	-	-
S2.100.200.500.4.62L.H.290.Q.EX.D	96811672	96787498	-	-	-
S2.100.300.300.4.62E.S.253.Q.EX.D	96811673	-	-	96782484	-
S2.100.300.300.4.62E.C.253.Q.EX.D	96811674	-	-	96782484	-
S2.100.300.300.4.62E.D.253.Q.EX.D	96811675	-	96094525	-	-
S2.100.300.300.4.62E.H.253.Q.EX.D	96811699	96787499	-	-	-
S2.100.300.400.4.62E.S.281.Q.EX.D	96811676	-	-	96782484	-
S2.100.300.400.4.62E.C.281.Q.EX.D	96811677	-	-	96782484	-
S2.100.300.400.4.62E.D.281.Q.EX.D	96811678	-	96094525	-	-
S2.100.300.400.4.62E.H.281.Q.EX.D	96811700	96787499	-	-	-
S2.100.300.500.4.62E.S.289.Q.EX.D	96811679	-	-	96782484	-
S2.100.300.500.4.62E.C.289.Q.EX.D	96811680	-	-	96782484	-
S2.100.300.500.4.62E.D.289.Q.EX.D	96811681	-	96094525	-	-
S2.100.300.500.4.62E.H.289.Q.EX.D	96811701	96787499	-	-	-
S2.145.300.200.8.62E.S.388.Q.EX.D	96811659	-	-	96782484	-
S2.145.300.200.8.62E.C.388.Q.EX.D	96811660	-	-	96782484	-
S2.145.300.200.8.62E.D.388.Q.EX.D	96811661	-	96308239	-	-
S2.145.300.200.8.62E.H.388.Q.EX.D	96811697	96787500	-	-	-
S2.145.300.280.8.62E.S.421.Q.EX.D	96811662	-	-	96782484	-
S2.145.300.280.8.62E.C.421.Q.EX.D	96811663	-	-	96782484	-
S2.145.300.280.8.62E.D.421.Q.EX.D	96811664	-	96308239	-	-
S2.145.300.280.8.62E.H.421.Q.EX.D	96811698	96787500	-	-	-
S3.120.300.150.12.62F.S.449.Q.EX.D	96811694	-	-	96782484	-
S3.120.300.150.12.62F.C.449.Q.EX.D	96811695	-	-	96782484	-
S3.120.300.150.12.62F.D.449.Q.EX.D	96811696	-	96308239	-	-
S3.120.300.150.12.62F.H.449.Q.EX.D	96811702	96787500	-	-	-

* Without hose connection.

** Installation type S and C pumps with discharge flange size DN 250 and higher are supplied with guide claw mounted on the flange.

*** The horizontal base stand is included in the pump product number.

List of variants

Motor		
Various cable lengths		15 m
		25 m
		50 m
EMC power cables	Screened power cables for variable speed drives	10 m
		15 m
		25 m
		50 m
Special motor		Insulation class H
		Special voltage
PTC thermistors in windings		
Special oil	Non-toxic Shell Ondina 917	
Motor protection		
PTC + moisture switch		FPV1
Klixon + moisture switch + WIO		FPV2a
PTC + moisture switch + WIO		FPV2b
Klixon + moisture switch + WIO + PT100 at lower and upper bearing		FPV4a
PTC + moisture switch + WIO + PT100 at lower and upper bearing		FPV4b
Materials		
Stainless steel lifting bracket	AISI 316	
Stainless steel shaft		
Tests		
Test at specified duty on standard impeller curve		
Trimmed impeller for specified duty test		
Additional test of entire QH curve (incl. report)	5-10 flows from pump performance curve	
Different test standard	Efficiency guaranteed by Grundfos	ISO 9906 grade 1 tolerances
		ISO 9906 grade 2 tolerances
Vibration test (incl. report)	According to Grundfos factory quality standard	
Performance test on dry test stand	Not yet available	
NPSHr test	Not yet available	
String test	Contact Grundfos	
Witness test	Contact Grundfos	
Miscellaneous		
Special packaging	Contact Grundfos	
Special nameplate	Contact Grundfos	
Other variants	Contact Grundfos	

Sectional drawings, motors

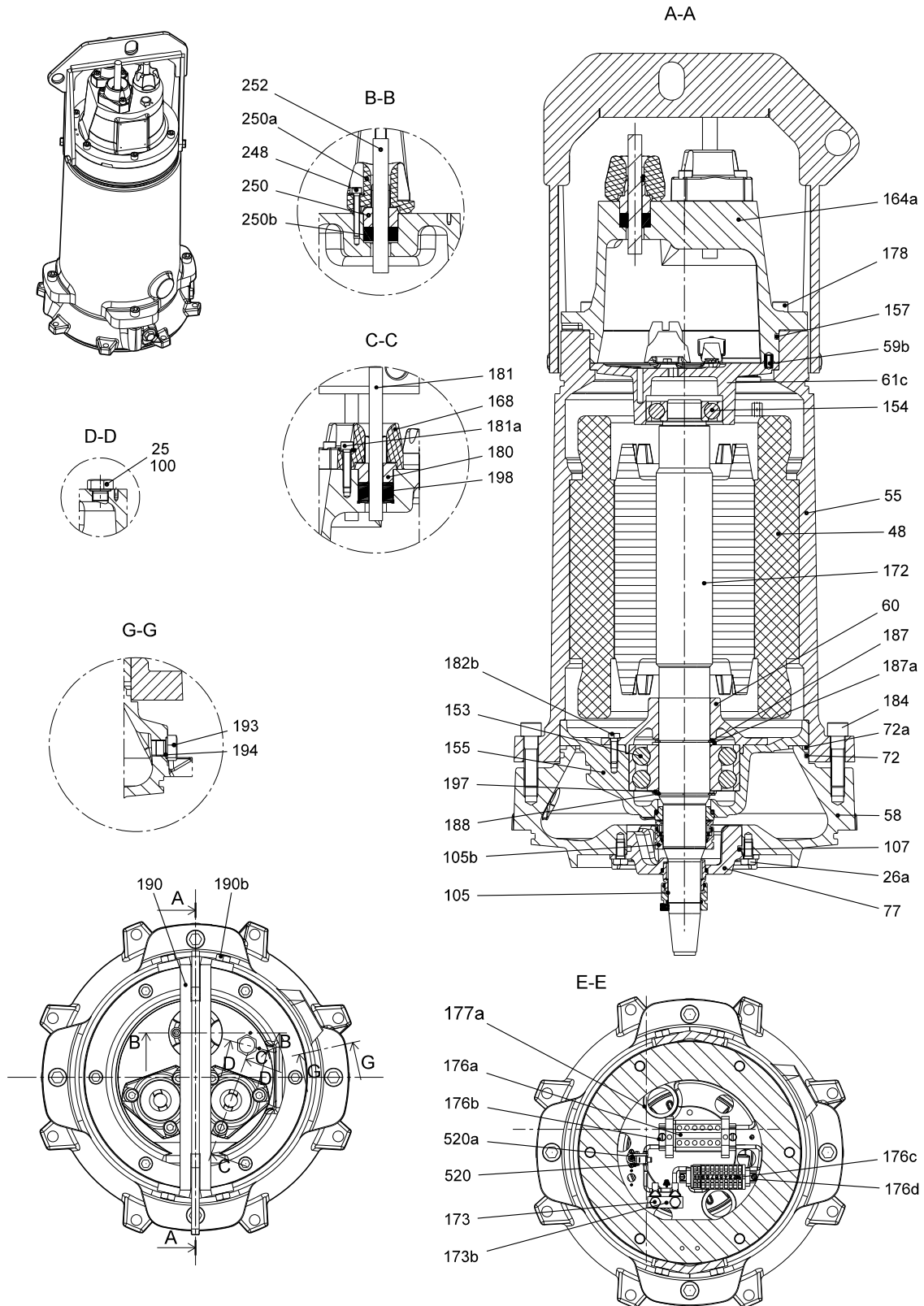


Fig. 4 Non-explosion-proof motor without cooling jacket

TM04 2306 2308

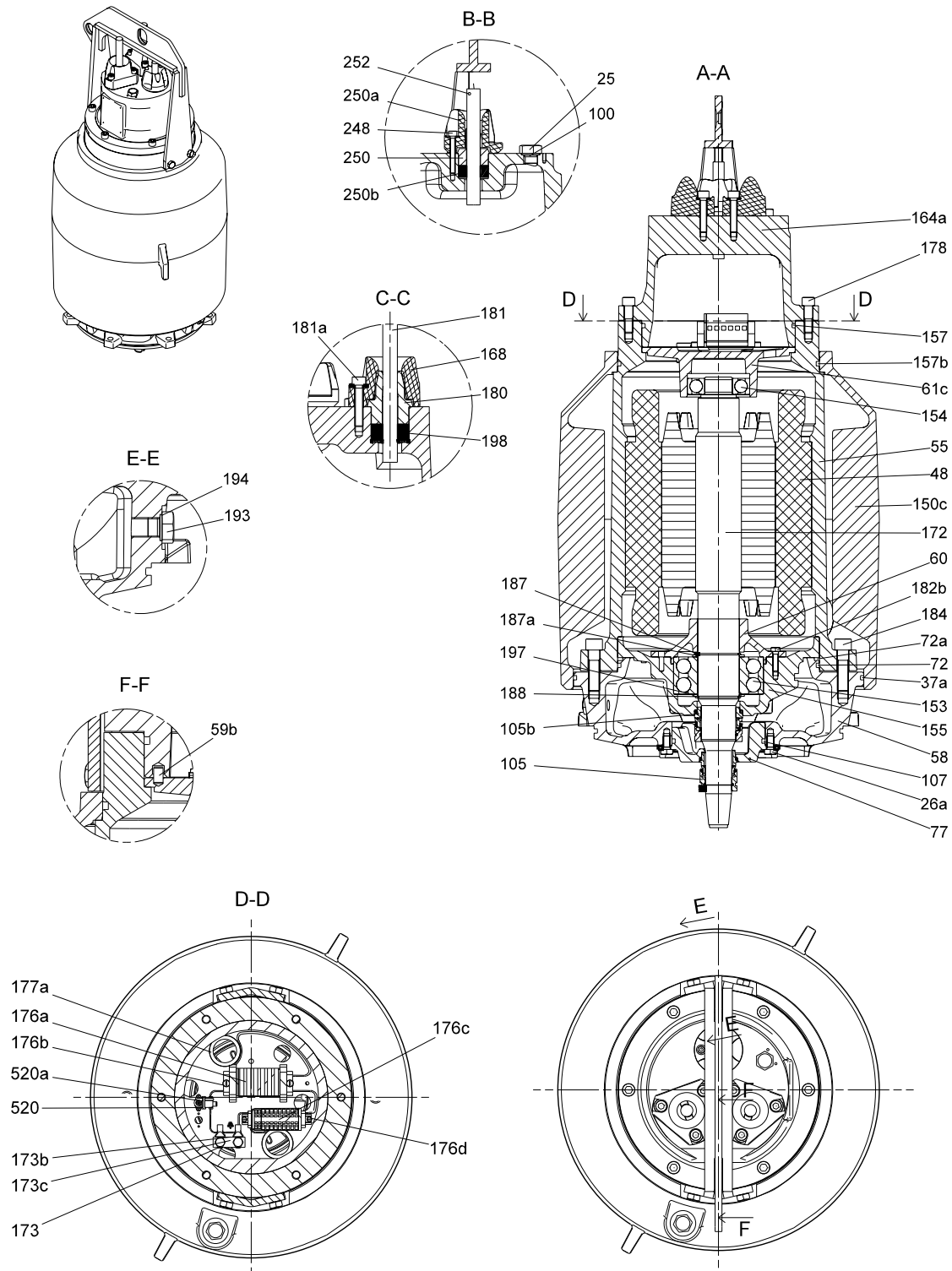


Fig. 5 Non-explosion-proof motor with cooling jacket

TM04 2307 2308

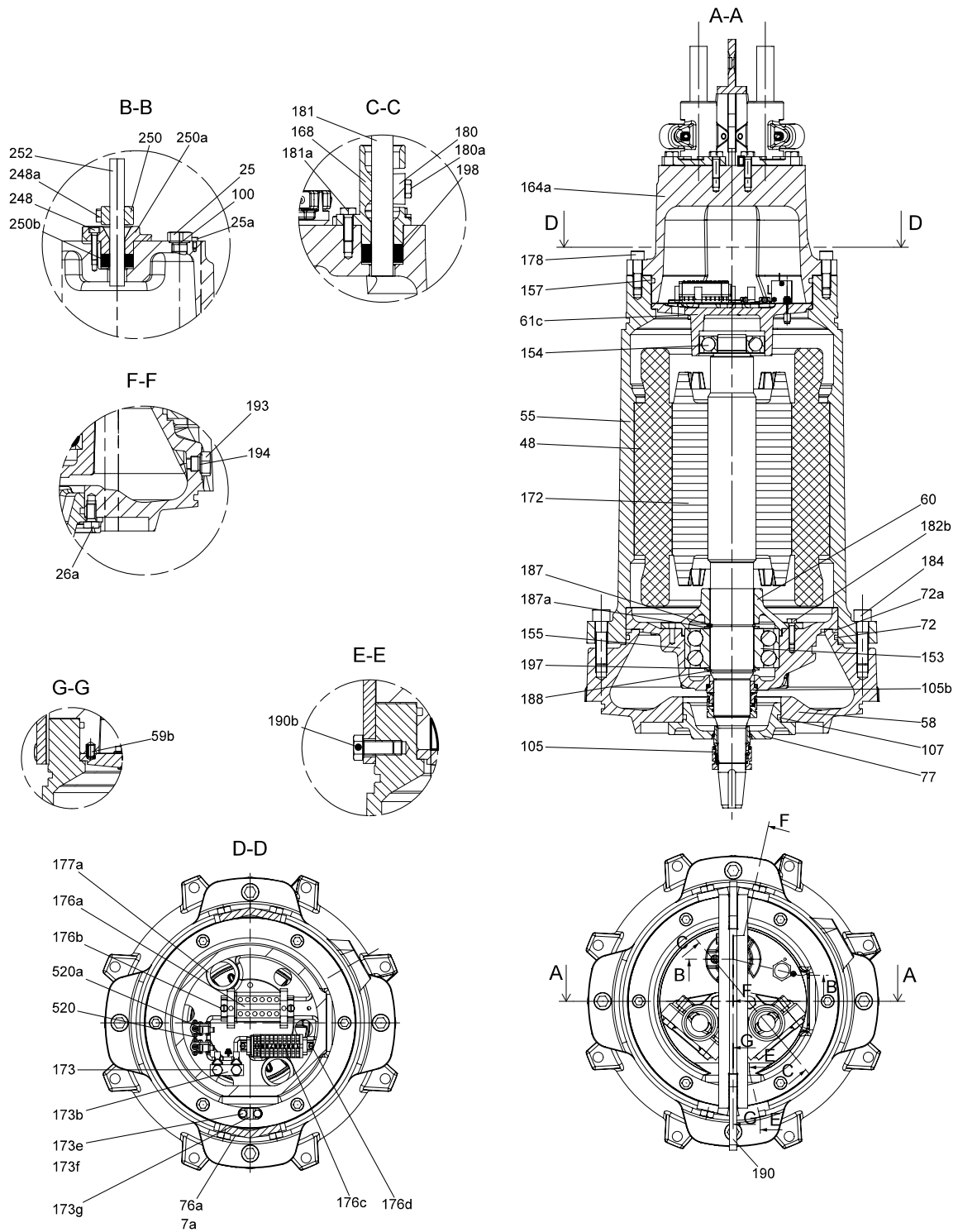


Fig. 6 Explosion-proof motor without cooling jacket

TM04 2308 2308

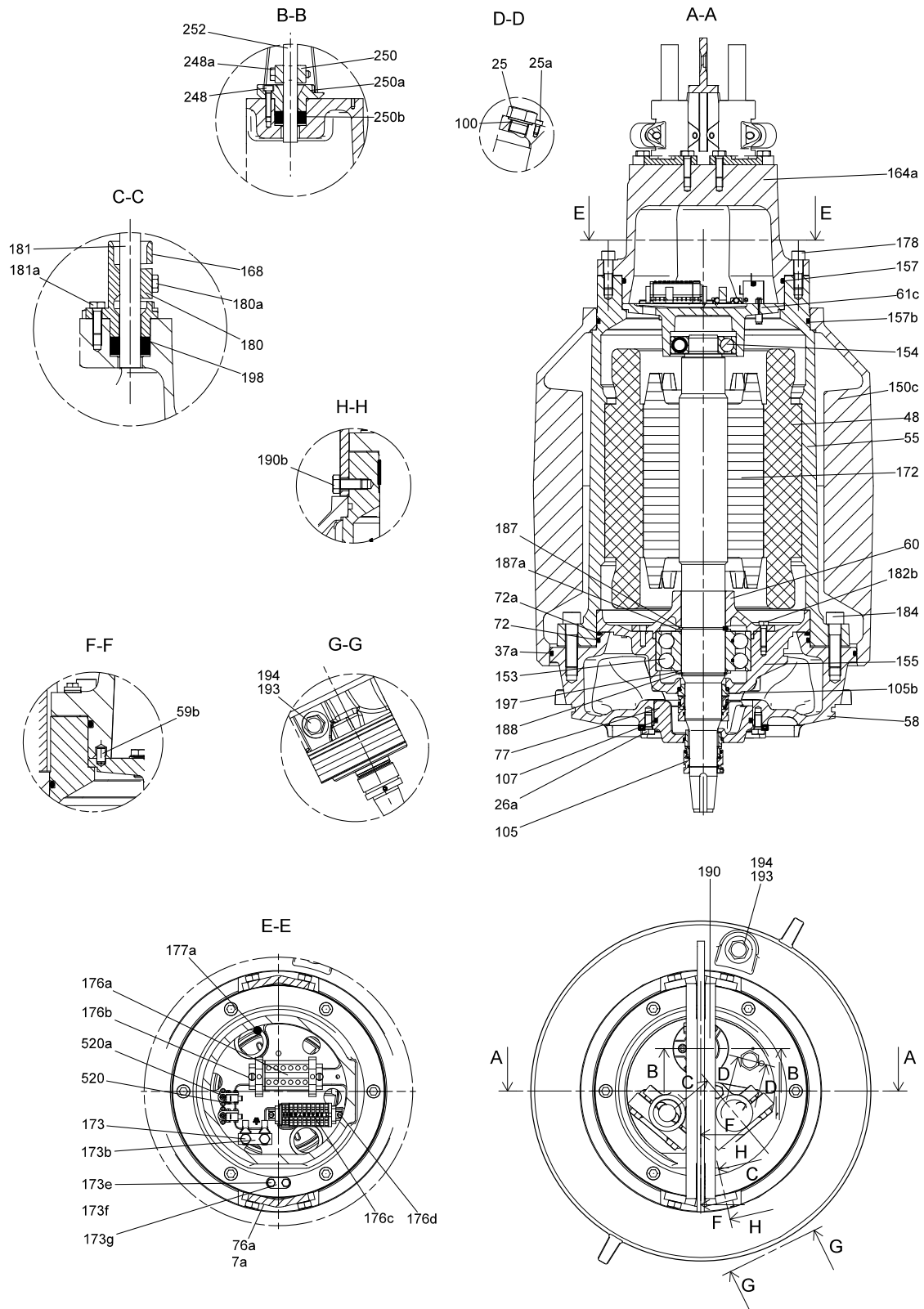


Fig. 7 Explosion-proof motor with cooling jacket

TM04 2309 2308

Sectional drawings, pumps

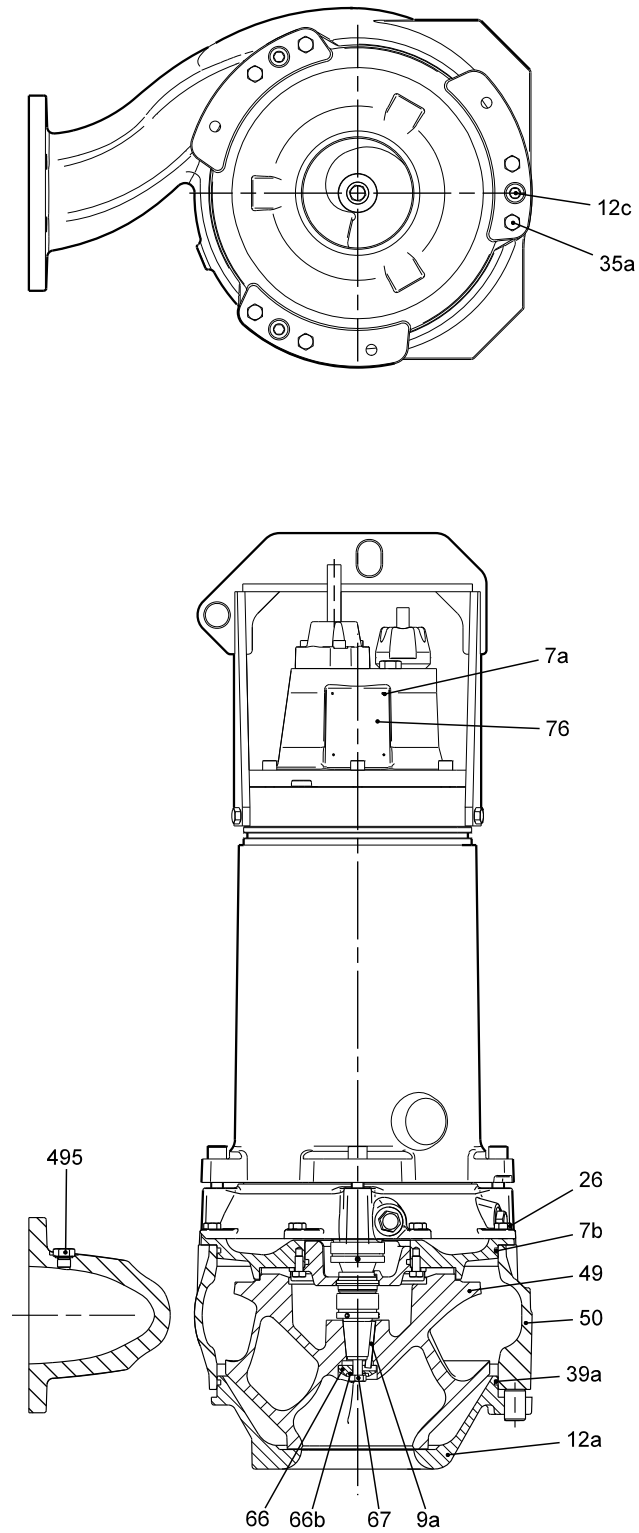


Fig. 8 S1 pump

TM04 2310 2308

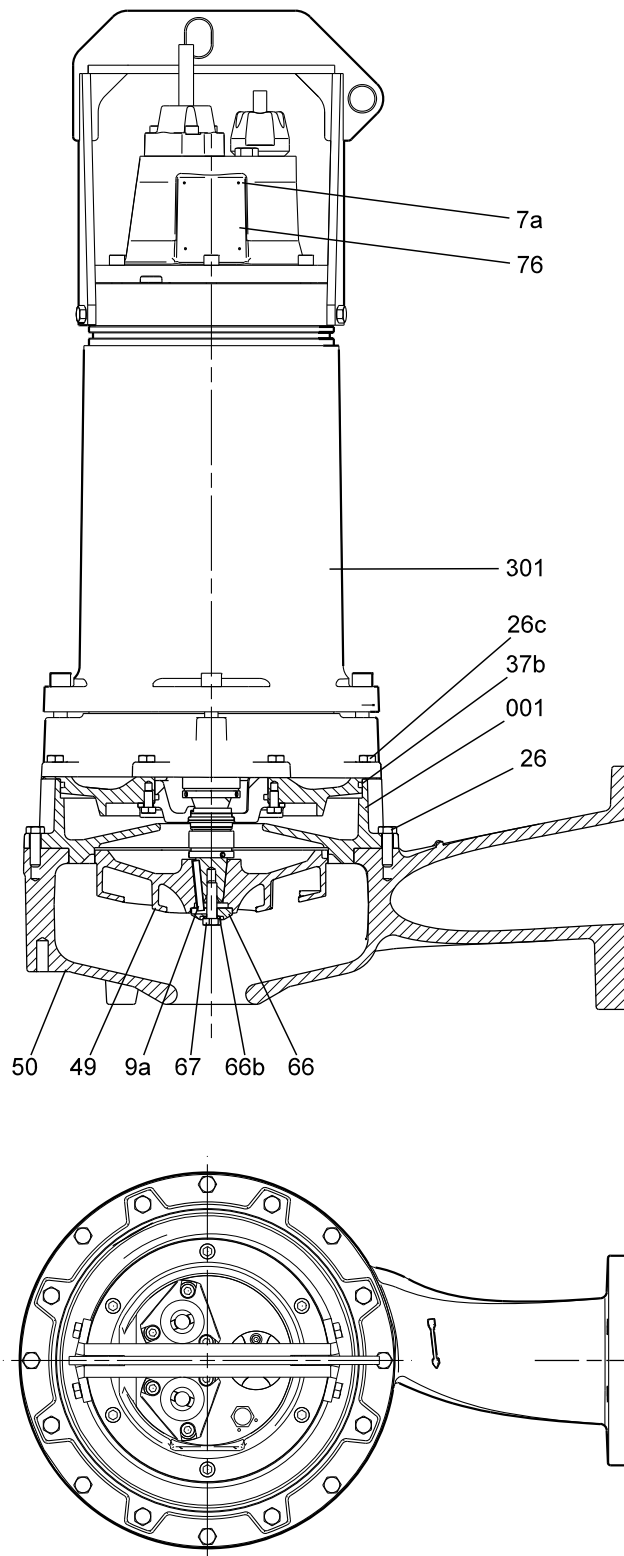


Fig. 9 SV pump

TM04 2311 2308

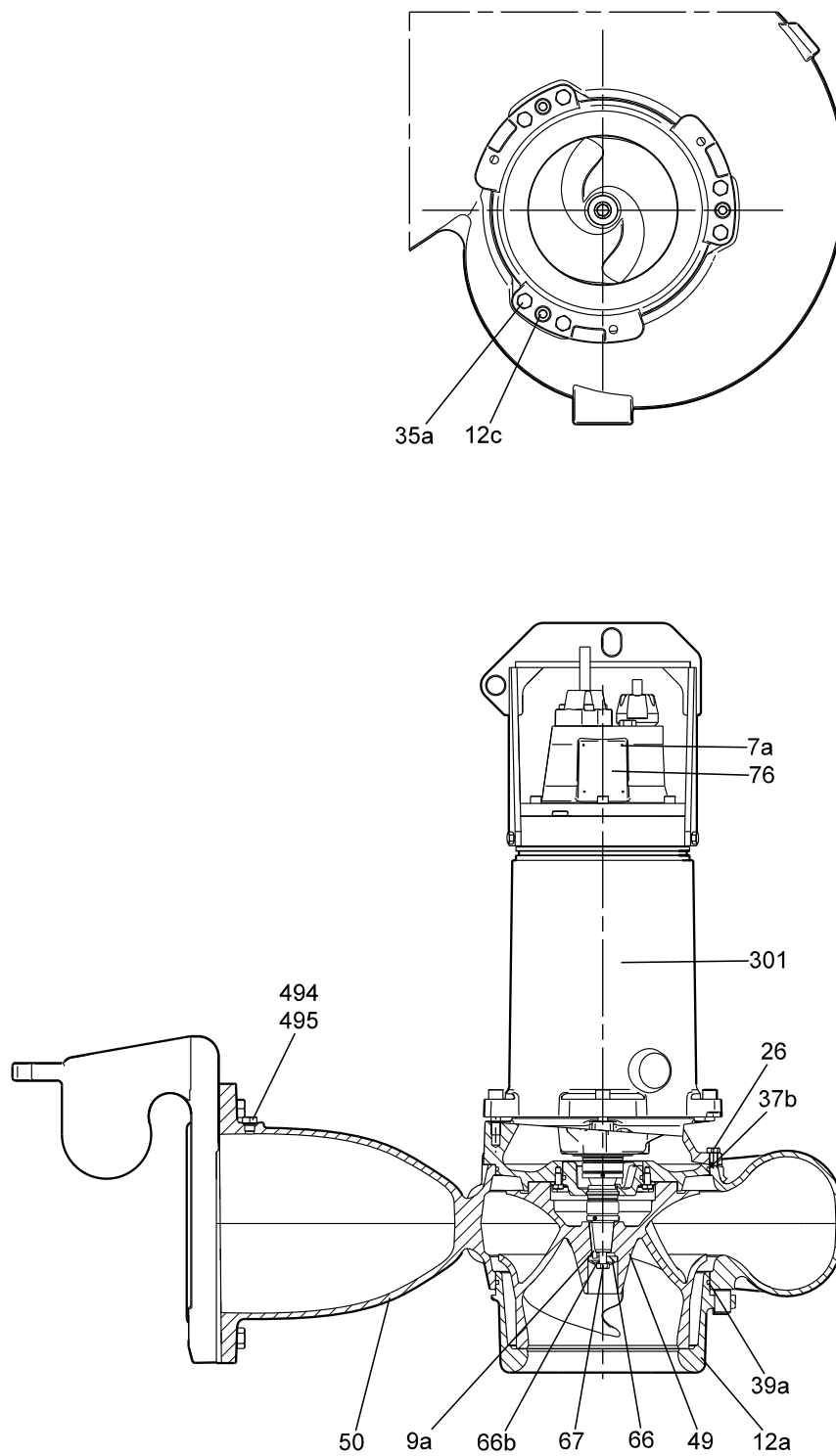


Fig. 10 S1 pump with DN 2 > DN 400

TM04 2312 2308

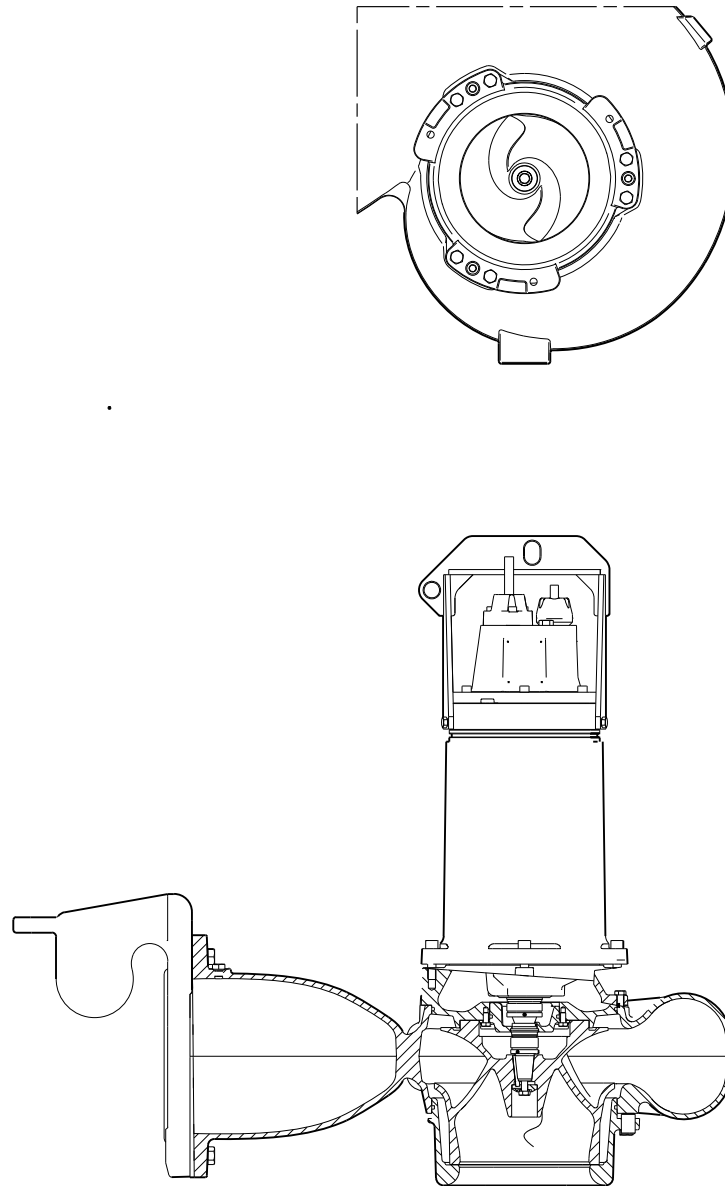


Fig. 11 Installation types S and C pump on auto coupling

TM04 2315 2308

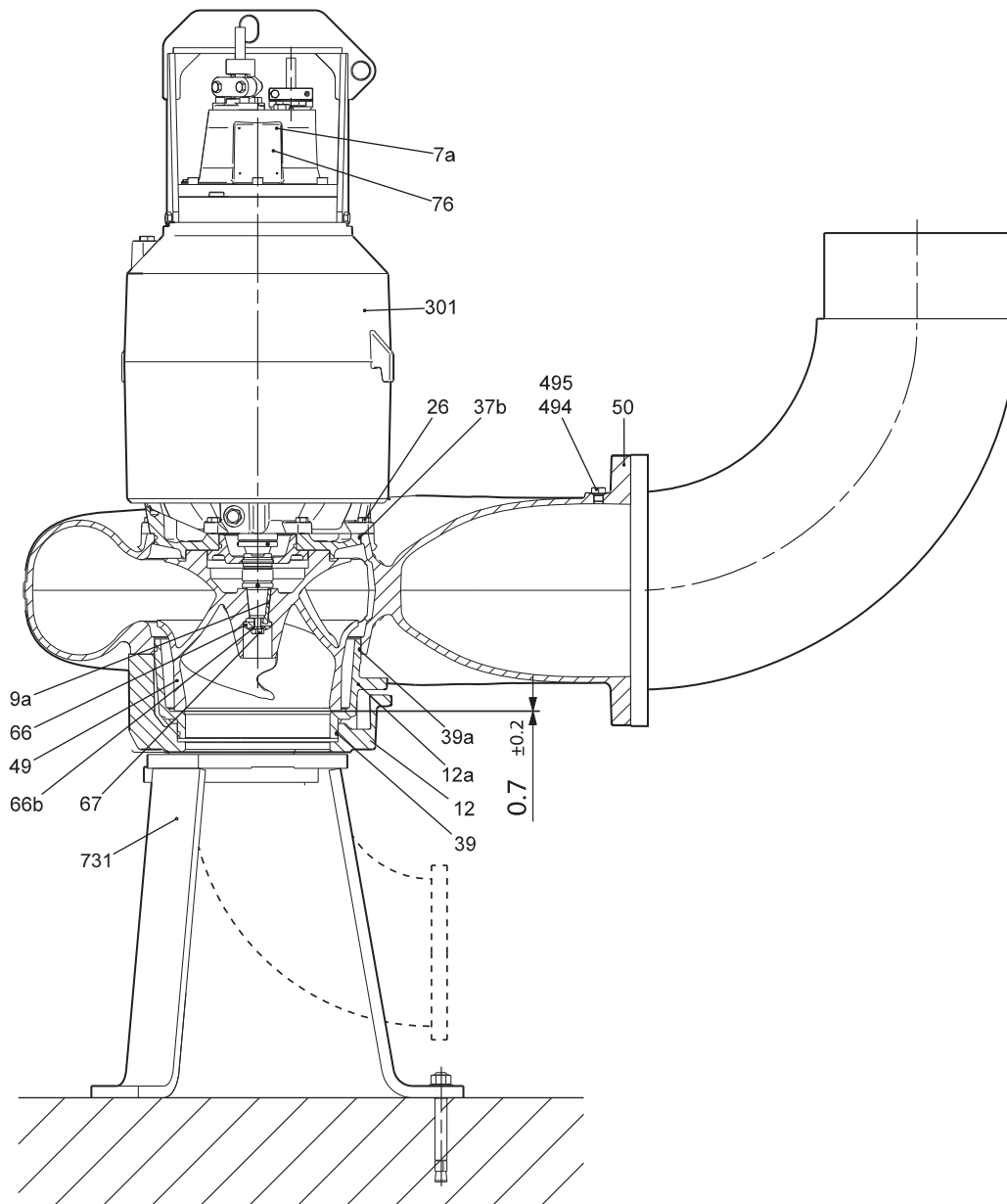
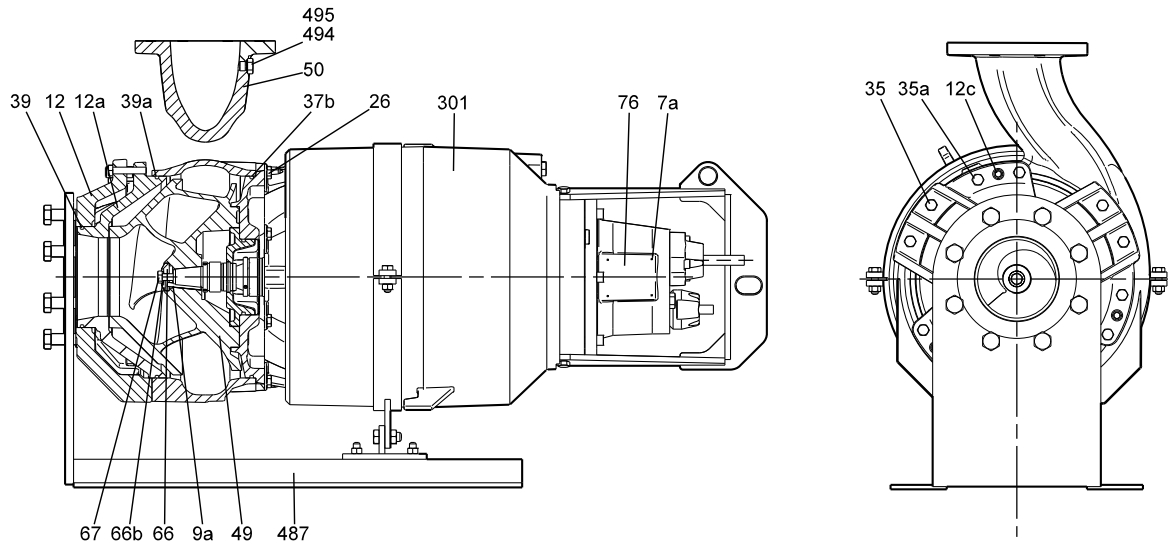


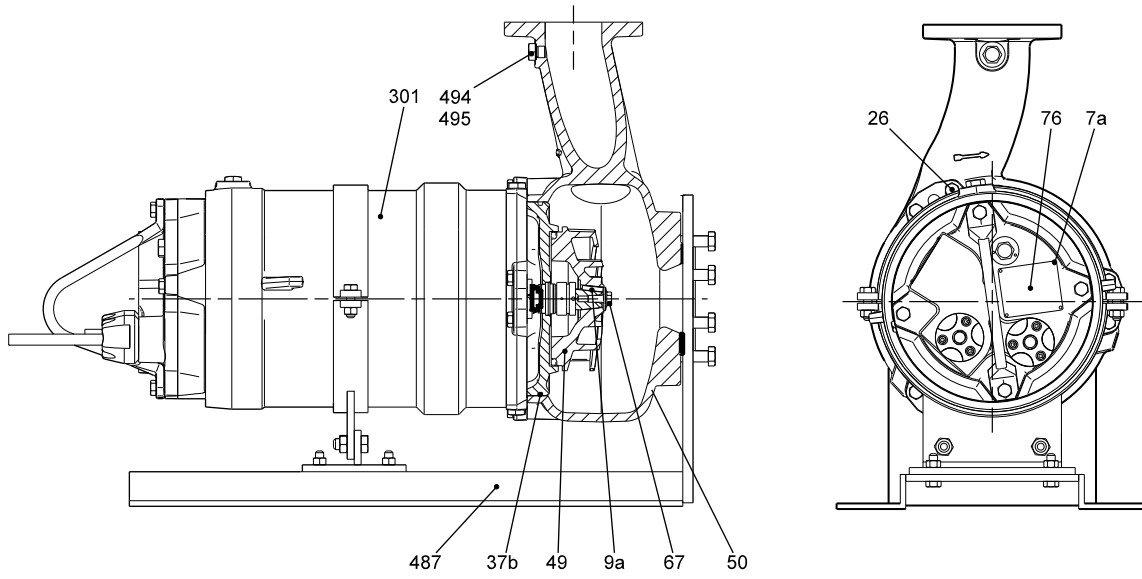
Fig. 12 Installation type D pump

TM04 2316 2308



TM04 2313 2308

Fig. 13 S1 pump, installation type H



TM04 2314 2308

Fig. 14 SV pump, installation type H

Components and material specification

Motor

Pos.	Component	Material
7a	Rivet	Stainless steel (1.4436/316)
25a	Screw	Stainless steel (1.4436/316)
25	Pressure test plug	Stainless steel (1.4436/316)
48	Stator lamination	
**55	Stator housing	Cast iron (EN-JL 1040/A48 30)
58	Seal housing	Cast iron
60	Bearing bracket cover	Cast iron
61c	Upper bearing bracket	Cast iron
72a	O-ring	NBR rubber
72	O-ring	NBR rubber
76a	Approval plate	
100	O-ring	NBR rubber
105b	Mechanical seal	SiC/SiC or SiC/carbon
105	Mechanical seal	SiC/SiC or SiC/carbon
150c	Cooling jacket	Galvanized steel
153	Ball bearing	Stainless steel
154	Ball bearing	Stainless steel
**155	Lower bearing bracket	Cast iron
157b	O-ring	NBR rubber
157	O-ring	NBR rubber
**164a	Motor top cover	Cast iron
*168	Cable entry	PA or cast iron
172	Shaft with rotor	Stainless steel (1.4462/329)
173b	Earth terminal	
173c	Washer	Stainless steel (1.4436/316)
173e	Screw	Stainless steel (1.4436/316)
173f	Spring washer	Stainless steel (1.4436/316)
173g	Earth connector	
173	Screw	Stainless steel (1.4436/316)
176a	Terminal block	
176b	Screw	Stainless steel (1.4436/316)
176c	Terminal block	
176d	Terminal block	
178	Screw	Stainless steel (1.4436/316)
180	Cable clamp	PA or cast iron
181a	Screw	Stainless steel (1.4436/316)
181	Cable	ATON
182b	Hexagon socket head cap screw	Stainless steel (1.4436/316)
184b	Screw	Stainless steel (1.4436/316)
184	Screw	Stainless steel (1.4436/316)
187a	Washer	Stainless steel (1.4436/316)
187	Circlip	
188	Circlip	
190	Lifting bracket	Stainless steel (1.4408/316)
193	Plug	Stainless steel (1.4408/316)
194	O-ring	NBR rubber
197	Washer	Stainless steel (1.4436/316)

Pos.	Component	Material
198	Rubber seal	
248	Screw	Stainless steel (1.4436/316)
250a	Cable entry	PA or cast iron
250b	Rubber seal	
250	Cable clamp	PA or cast iron
252	Cable	ATON
520a	Screw	Stainless steel (1.4436/316)
520b	Nut	Stainless steel (1.4436/316)
*520	Moisture switch	
522	Holder	

Pump

Pos.	Component	Material
7a	Rivet	
9a	Key (for keyway)	Stainless steel (1.4436/316)
12c	Adjusting screw	Stainless steel (1.4436/316)
26	Screw	Stainless steel (1.4436/316)
37	O-ring	NBR rubber
37b	O-ring	NBR rubber
**49	Impeller	Cast iron EN-JL 1050
**50	Volute casing	Cast iron EN-JS 1050
67	Impeller screw	Stainless steel (1.4436/316)
76	Nameplate	
301	Motor housing	
494	Plug	Stainless steel (1.4436/316)
495	O-ring	NBR rubber

Accessories

Pos.	Component	Material
**701	Auto-coupling base unit	Cast iron
**702	Guide rail bracket	Cast iron
**703	Guide claw	Cast iron
731	Base stand, vertical	Galvanized steel
749	Bend	Cast iron
**761	Hose connector	Cast iron or stainless steel
487	Base stand, horizontal	Galvanized steel
799	Anchor bolt	

* Ex versions have cast iron cable entry and two moisture switches.

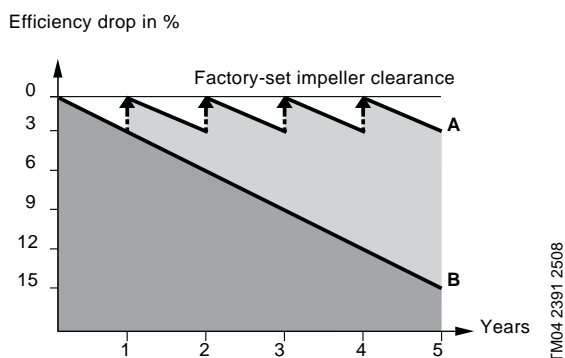
** Available of stainless steel (custom-built option).

Features

SmartTrim

On conventional pumps, maintaining factory-set impeller clearance is a time-consuming and costly task. The pumps need to be disconnected from the pipework and to be totally dismantled, and new parts need to be mounted in order to maintain full pumping efficiency. Not so with Grundfos SmartTrim!

All Grundfos heavy-duty channel-impeller pumps, whether for submerged or dry installation, are equipped with the unique SmartTrim impeller clearance adjustment system. This enables you to easily restore factory-set impeller clearance and maintain peak pumping efficiency. All you need to do is to tighten the adjustment screws on the exterior of the impeller housing. This can be done on site, quickly and easily, without dismantling the pump and without using special tools.



A: With Grundfos SmartTrim impeller clearance adjustment system

B: Without impeller clearance adjustment system

SmartSeal

The Grundfos SmartSeal auto-coupling gasket mounted on the pump discharge flange provides a completely leak-proof connection between the pump and the base unit of the auto-coupling system. This optimises the efficiency of the entire pumping system and keeps operating costs at a minimum.

Ball bearings

The bearings are greased for life.

Main bearings: Double-row angular contact ball bearing.

Support bearings: Single-row deep-groove ball bearing.

Shaft seal

The pumps have a shaft seal consisting of a primary and a secondary shaft seal.

The material combination of the primary shaft seal of all pump types is silicon carbide/silicon carbide. For the secondary shaft seal, the material combination is silicon carbide/carbon.

The shaft seals are placed in the oil chamber of the pump. The oil chamber provides reliable sealing between the pumped liquid and the motor.

The shaft seals have no springs or other parts in direct contact with the pumped liquid. This prevents rags and fibres from getting caught. The shaft seals are bidirectional, meaning that they can operate in either direction thus allowing for opposite rotation caused by back-flow of liquid through the pump.

Motor

The motor is a watertight, totally encapsulated motor with:

- insulation class F (155 °C)
- temperature rise class F (105 °C)
- enclosure class IP68.

For motor protection and sensors, see [Sensors](#) below.

Power cables

Standard cable

Cable type [mm ²]	Outer cable diameter [mm]		Bending radius [cm]
	min.	max.	
4 x 6	15.7	17.2	11
4 x 10	20.9	23.4	14
4 x 16	23.8	26.3	16

EMC cable

Cable type [mm ²]	Outer cable diameter [mm]		Bending radius [cm]
	min.	max.	
3 x 6	13.6	15.2	7.6
3 x 10	17.8	19.8	9.9
3 x 16	20.9	22.9	11.5

Control cable

Cable type [mm ²]	Outer cable diameter [mm]		Bending radius [cm]
	min.	max.	
7 x 1.5	14.4	16.0 - 16.4	10

The cables are 10 m long as standard. Other cable lengths are available on request. See [List of variants](#) on page 15.

The number and dimension of cables depend on the motor size.

Cable	Motor power [kW]
2 x 4 x 6 mm ² + 7 x 1.5 mm ²	15 - 20 - 28
2 x 4 x 10 mm ² + 7 x 1.5 mm ²	30 - 41 - 43
2 x 4 x 16 mm ² + 7 x 1.5 mm ²	50

Cable entry

Watertight PA or cast iron cable entry with soft shape and sealing rings to prevent damage of the cable or leaks.

Sensors

As standard the pump is equipped with:

- Three thermal switches (Klixon), one in each phase.
- One moisture switch in terminal block.

Customised sensor options

1. WIO (water-in-oil) sensor

The WIO sensor measures the water content in the oil and converts the value into an analogue current signal. The two sensor conductors are for power supply as well as for carrying the signal to the measuring device or controller. The sensor measures the water content from 0 to 20 %. It also sends a signal if the water content is outside the normal range (warning), or if there is air in the oil chamber (alarm). The sensor is fitted in a stainless steel tube for mechanical protection.

The WIO sensor is connected to the Grundfos IO 111 module.

2. PVS 3 (pump vibration sensor)

The vibration sensor monitors the vibration level of the pump. A change in the vibration level indicates an abnormal situation. The cause of this can be a clogged impeller, worn bearings, closed discharge valve, etc., indicating that service inspection should be carried out now in order to protect the pump or the pipe system from being damaged.

3. Bearing temperature sensor.

Testing

All pumps are tested before leaving the factory. The factory test report is based on ISO 9906, Annex A. Test reports can be ordered directly with the pump or can be ordered separately based on the pump serial number.

Other tests or third party inspection certificates are available on request. See [List of variants](#) page 15.

Operating conditions

Pumps without cooling jacket in submerged installation:

- Continuous operation when pump is fully submerged to top of motor.
- Intermittent operation with max. 20 starts per hour when pump is submerged to middle of motor and with short periods of operation down to the top of the pump housing

Note: Explosion proof pumps must always be fully submerged

Pumps with cooling jacket in submerged and dry installation:

- Continuous and intermittent operation with max. 20 starts per hour with water level down to the top of the pump housing.

Pumped liquids

pH value: 4-10

Liquid temperature: 0 °C - +40 °C

When pumping liquids with a density and/or a kinematic viscosity higher than that of water, use motors with correspondingly higher outputs.

Sound pressure

The sound pressure level of the pump is lower than the limiting values stated in the EC Council directive 98/37/EC relating to machinery (the EC Machinery Directive).

Motor range

Shaft power[kW]	No. of poles
15	12
20	8
28	8
30	4
41	4
43	4
50	4

Explosion-proof pumps

Use explosion-proof pumps in potentially explosive environments. The explosion protection classification of the pumps is Ex c d IIB T3. The Ex d IIB T4 protection classification is available on request. Operation of the pump via a frequency converter requires temperature class T3. All installations must be approved by the local authorities.

Pump controllers

S pumps, range 62, can be controlled by the following LC and LCD pump controllers:

- LC 107, LCD 107 with level pickups
- LC 108, LCD 108 with float switches
- LC 110, LCD 110 with level electrodes.

LC controllers are for single-pump installations;

LCD controllers are for two-pump installations.

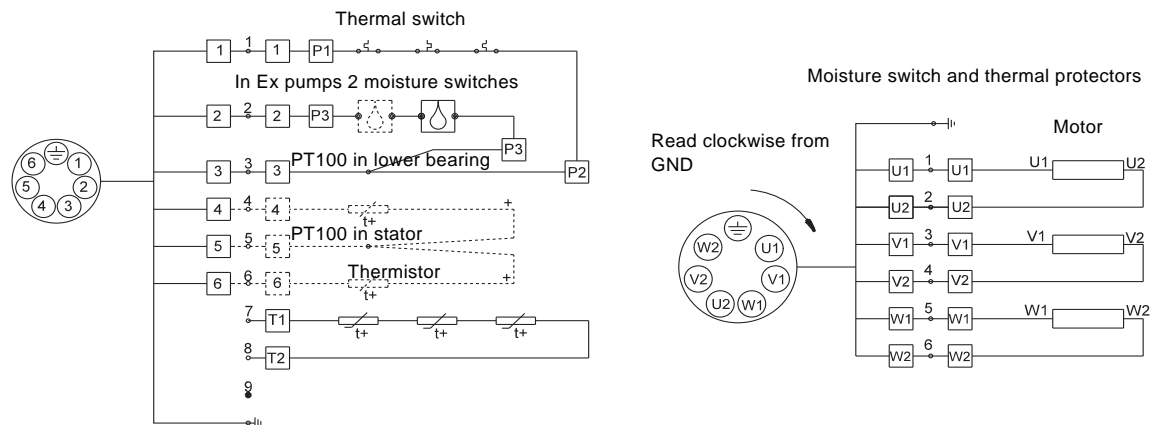
In the following description, “level switch” means level pickup, float switch or level electrode, depending on the pump controller selected.

The LC controller is fitted with two or three level switches: One for start and one for stop of pump. The third - optional - level switch, is for high-level alarm.

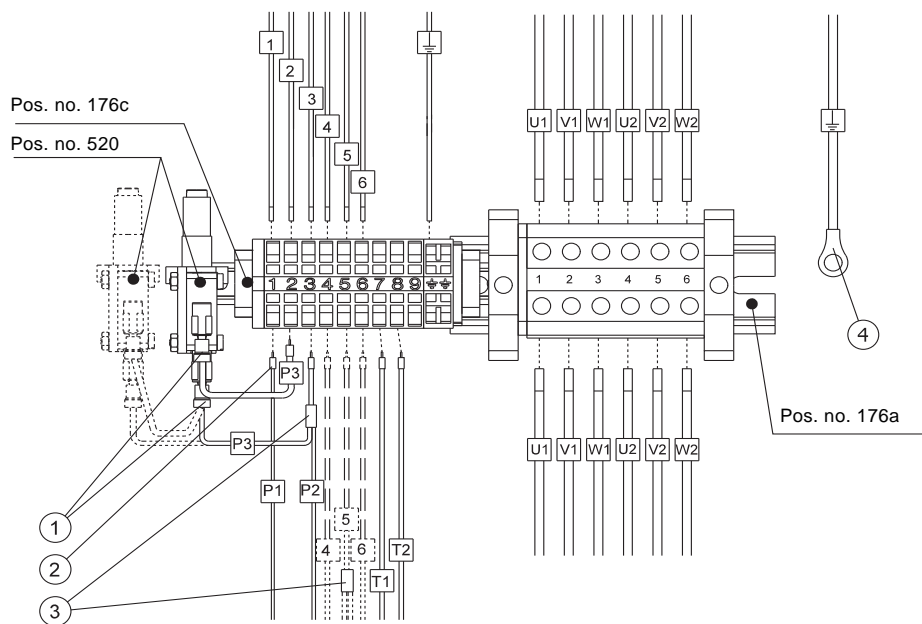
The LCD controller is fitted with three or four level switches: Two for start of the pumps and one for common stop. The fourth - optional - level switch is for high-level alarm.

For further settings, see the installation and operating instructions for the pump controller selected.

Wiring diagrams



Supply cable conductors



Stator conductors

Item	Description
1	Female push-on connector
2	Wire pin
3	Butt splice
4	Ring connector

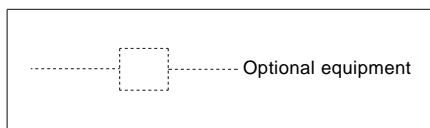


Fig. 15 Wiring diagrams, pumps with one power cable

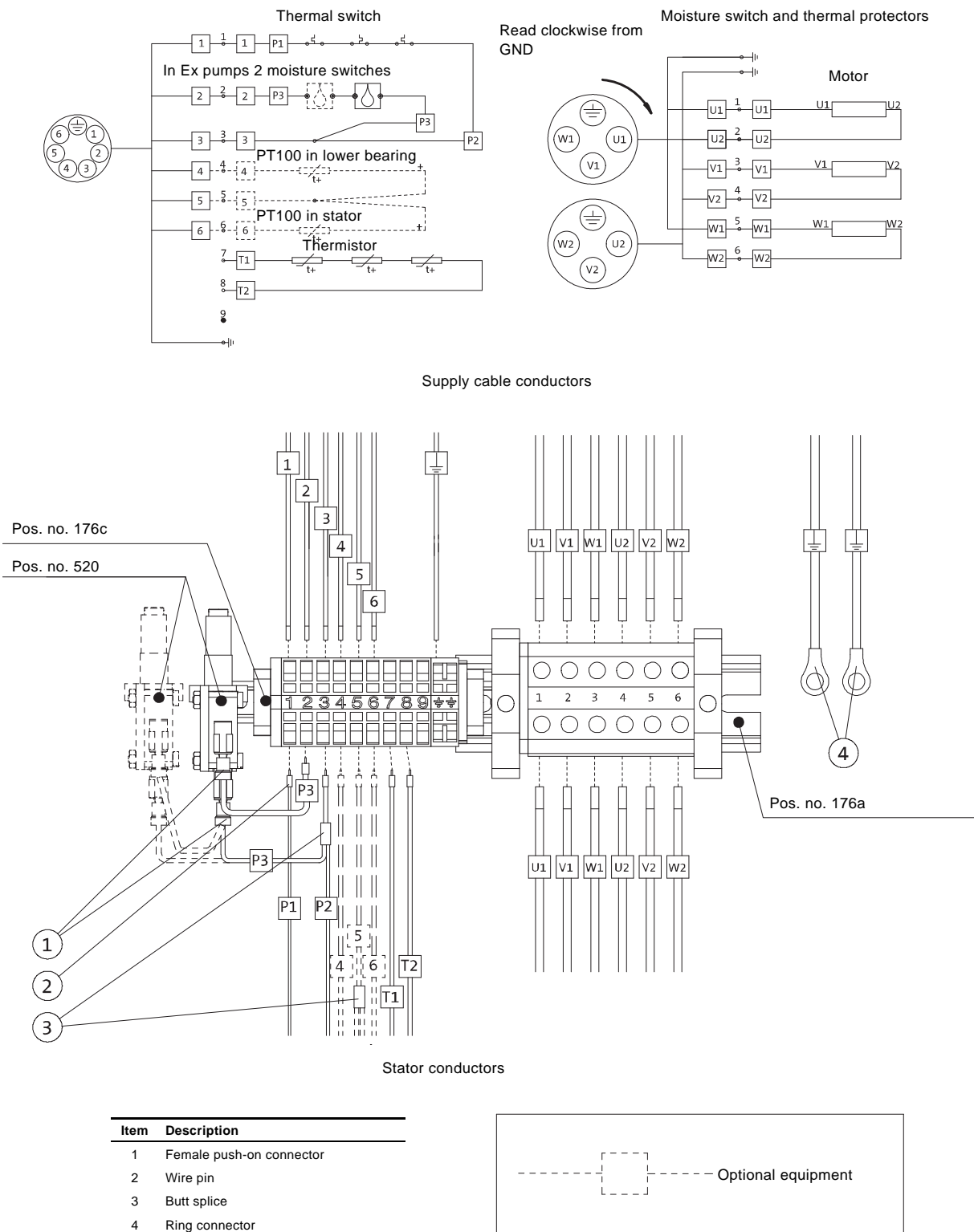


Fig. 16 Wiring diagrams, pumps with two power cables

TM043274 4008

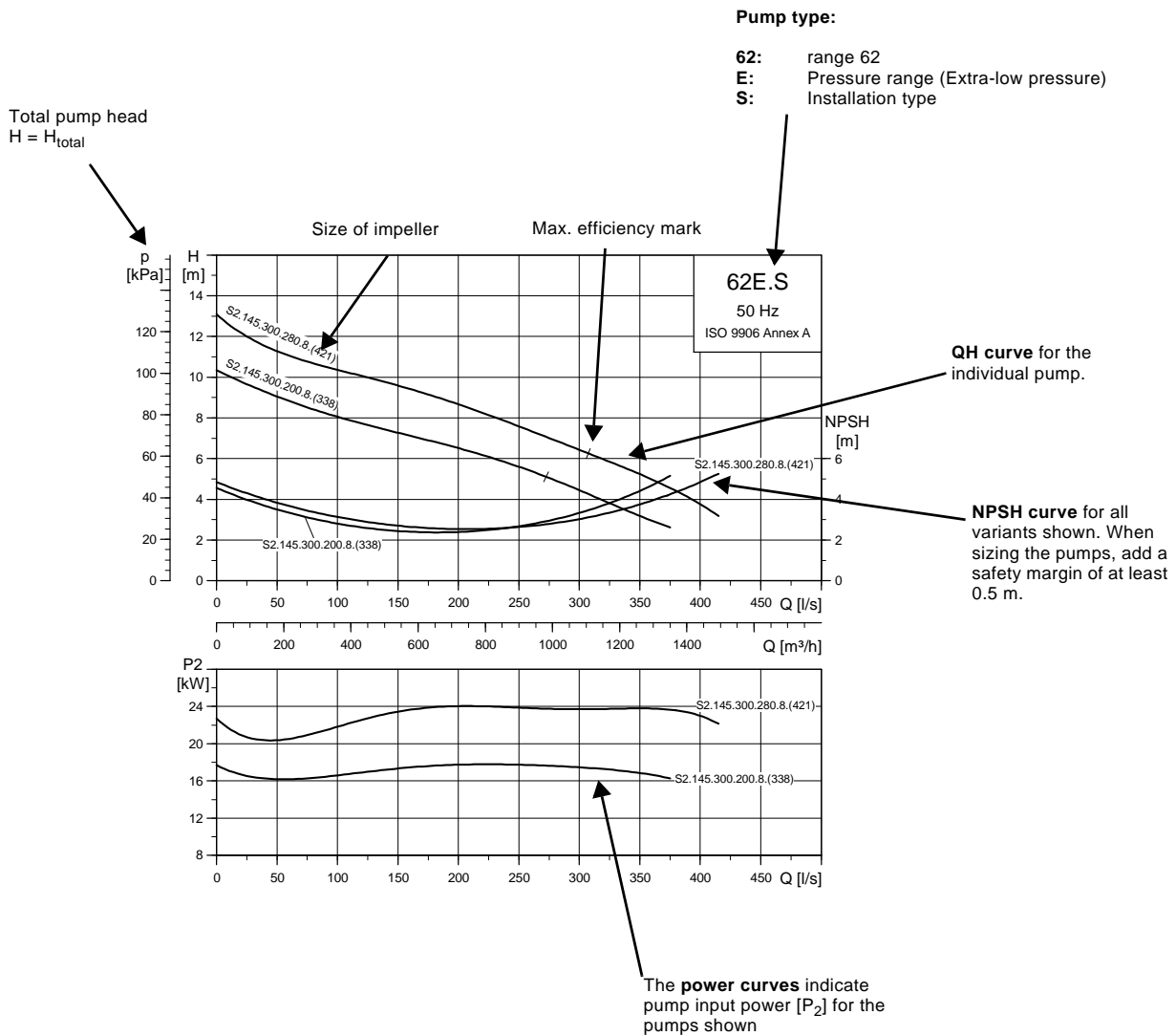
The following many pages are divided into sections:

Pages 32 and 33 A brief explanation of how to read the curve charts, the curve conditions, etc.

Performance curves and technical data:

Page 34 Super-low pressure
 Page 38 Extra-low pressure
 Page 46 Low pressure
 Page 50 Medium pressure
 Page 54 High pressure

How to read the curve charts



TM04 0642 0908

Curve conditions

The guidelines below apply to the curves shown in the performance charts on page 38 to page 37.

- Tolerances according to: ISO 9906, Annex A.
- The curves show pump performance with different impeller diameters at rated speed.
- The **bold** part of the curves show the **recommended** operating range.
- The curves apply to the pumping of airless water at a temperature of +20 °C and a kinematic viscosity of 1 mm²/s (1 cSt).
- **ETA**: The lines show values of the hydraulic efficiency of the pump for the different impeller diameters.
- **NPSH**: The curves show average values measured under the same conditions as the performance curves.
When dimensioning the pump, add a safety margin of at least 0.5 m.
- In case of other densities than 1000 kg/m³, the discharge pressure is proportional to the density.
- When pumping liquids with a density higher than 1000 kg/m³, motors with correspondingly higher outputs must be used.

Calculation of total head

The total pump head consists of the height difference between the measuring points + the differential head + the dynamic head.

$$H_{\text{total}} = H_{\text{geo}} + H_{\text{stat}} + H_{\text{dyn}}$$

H_{geo} : Height difference between measuring points.

H_{stat} : Differential head between suction and the discharge side of the pump.

H_{dyn} : Calculated values based on the velocity of the pumped liquid on the suction and the discharge side of the pump.

Performance tests

The requested duty point for every pump is tested according to ISO 9906, Annex A, and without certification.

In case of pumps ordered on the basis of impeller diameter only (no requested duty point), the pump will be tested at a duty point which is 2/3 of the maximum flow of the published performance curve which is related to the ordered impeller diameter (according to ISO 9906, Annex A).

If the customer requires either more points on the curve to be checked or certain minimum performances or certificates, individual measurements must be made, and a certificate can be ordered.

Certificates

Certificates have to be confirmed for every order and are available on request as follows:

- Certificate of compliance with the order (EN 10204 - 2.1)
- Pump test sheet.

Witness test

When the pumps are being tested or are tested with a certification it is possible for the customer to witness the testing procedure according to ISO 9906.

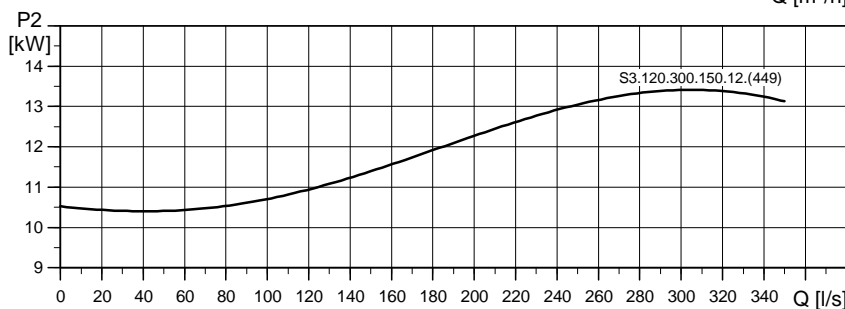
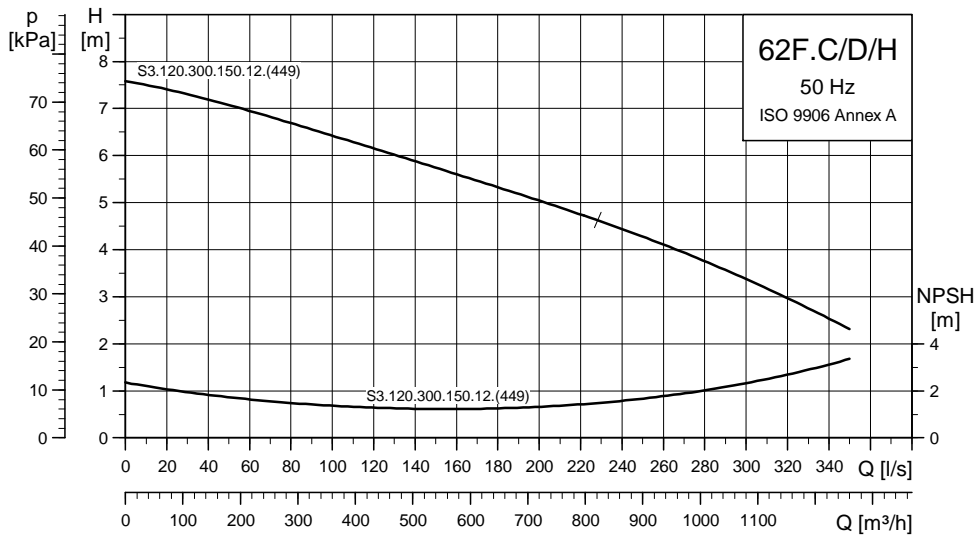
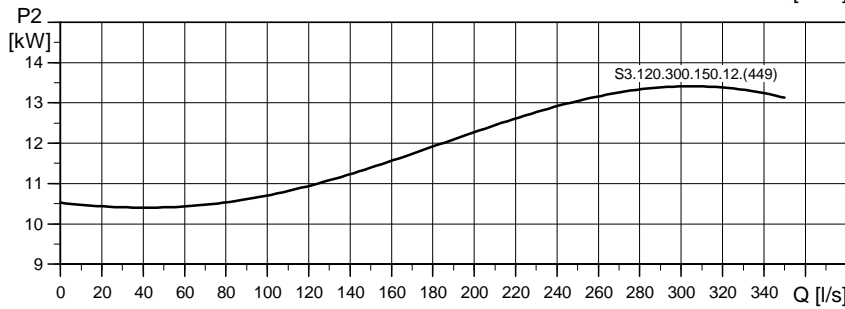
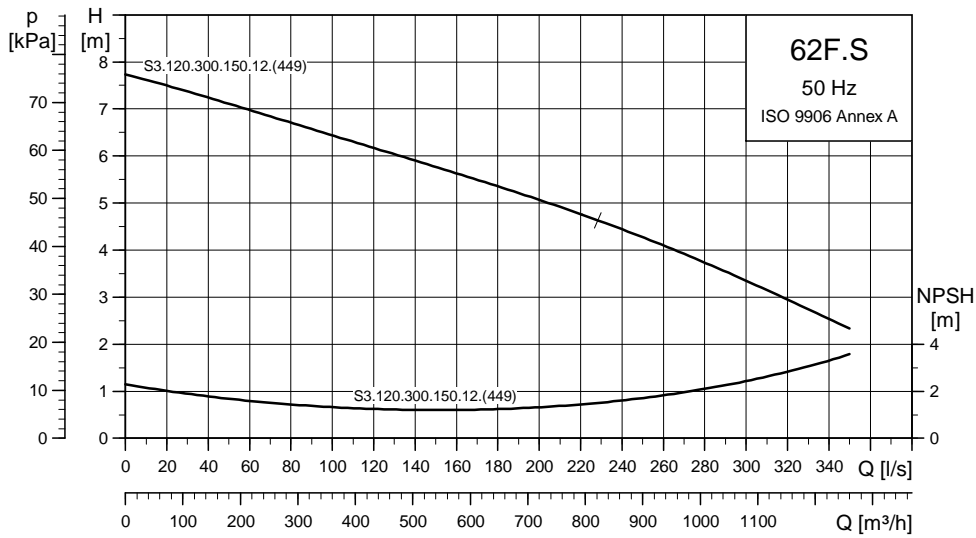
The witness test is not a certificate and will not result in a written statement from Grundfos. The witness itself is the only guarantee that everything is carried out as prescribed in the testing procedure.

If the customer wants to witness test the pump performance, place this request on the order.

Performance curves Technical data

S pumps, range 62

Super-low pressure - 3 x 400/690 V



TM04 0665 0908

TM04 0666 0908

Product range and dimensions

Pump type	Installation type	A	C	D	E	F	H	DN 1	DN 2	Weight [kg]	Product number
S3.120.300.150.12.62F.S.449.G.N.D	S	1490	1139	522	700	907	225	-	300	820	95113248
S3.120.300.150.12.62F.C.449.G.N.D	C	1490	1139	522	700	907	225	-	300	900	95113249
S3.120.300.150.12.62F.D.449.G.N.D	D	1544	1139	522	700	907	279	DN 300	300	860	95113250
S3.120.300.150.12.62F.H.449.G.N.D	H	1544	1139	522	700	907	279	DN 300	300	980	96783279

With 10 m cable

Electrical data

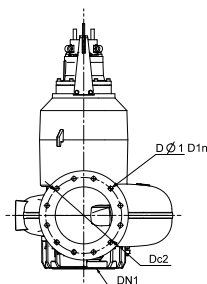
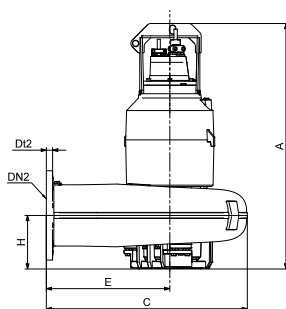
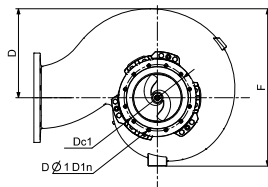
Pump type	P1 [kW]	P2 [kW]	No. of poles	RPM	Starting method	I _N [A]	I _{start} [A]	η _{motor} [%]			Cos φ			Moment of inertia [kgm ²]	Breakdown torque [Nm] M _{max} [Nm]
								1/2	3/4	1/1	1/2	3/4	1/1		
S3.120.300.150.12.62F.S.449.G.N.D	18	15	12	485	Y/D	37	147	83	85	84	0.54	0.65	0.70	2.0893	581
S3.120.300.150.12.62F.C.449.G.N.D	18	15	12	485	Y/D	37	147	83	85	84	0.54	0.65	0.70	2.0893	581
S3.120.300.150.12.62F.D.449.G.N.D	18	15	12	485	Y/D	37	147	83	85	84	0.54	0.65	0.70	2.0893	581
S3.120.300.150.12.62F.H.449.G.N.D	18	15	12	485	Y/D	37	147	83	85	84	0.54	0.65	0.70	2.0893	581

Note: Enclosure class: IP68

Pump data

Pump type	Impeller diameter	Max. solids size	Pump housing pressure	Max. installation depth
	[mm]	[mm]	PN	[m]
S3.120.300.150.12.62F.S.449.G.N.D	449	120	10	20
S3.120.300.150.12.62F.C.449.G.N.D	449	120	10	20
S3.120.300.150.12.62F.D.449.G.N.D	449	120	10	20
S3.120.300.150.12.62F.H.449.G.N.D	449	120	10	20

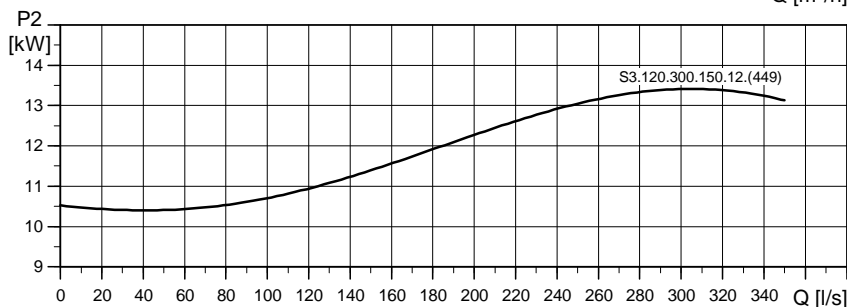
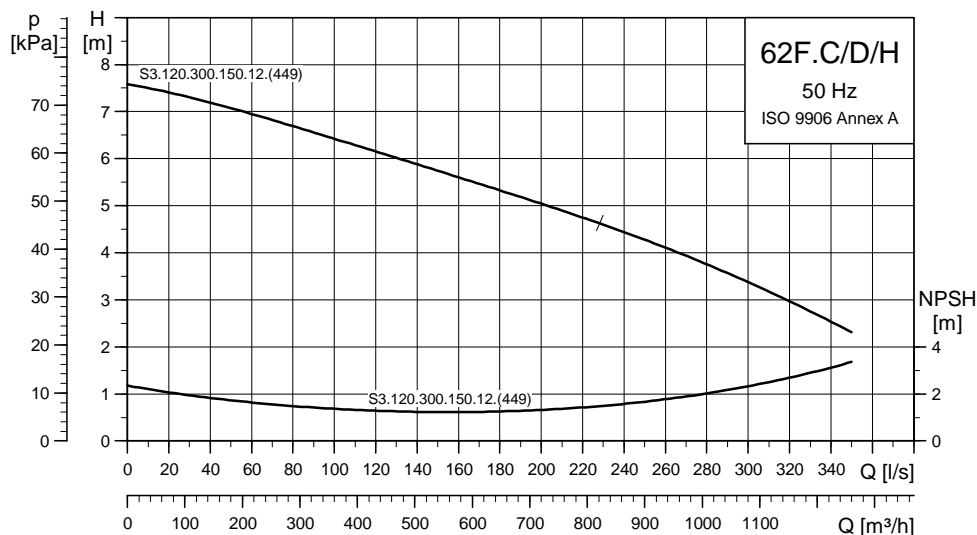
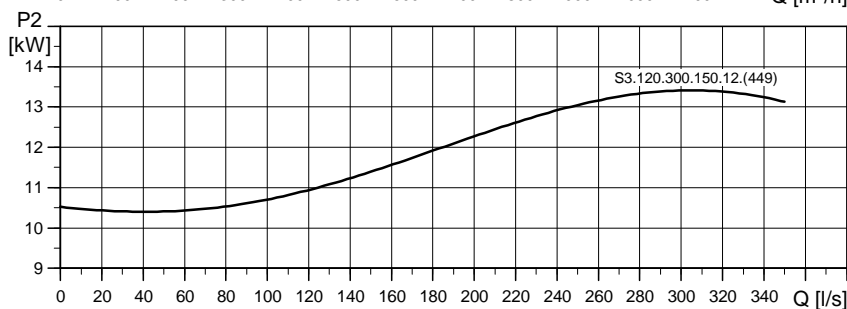
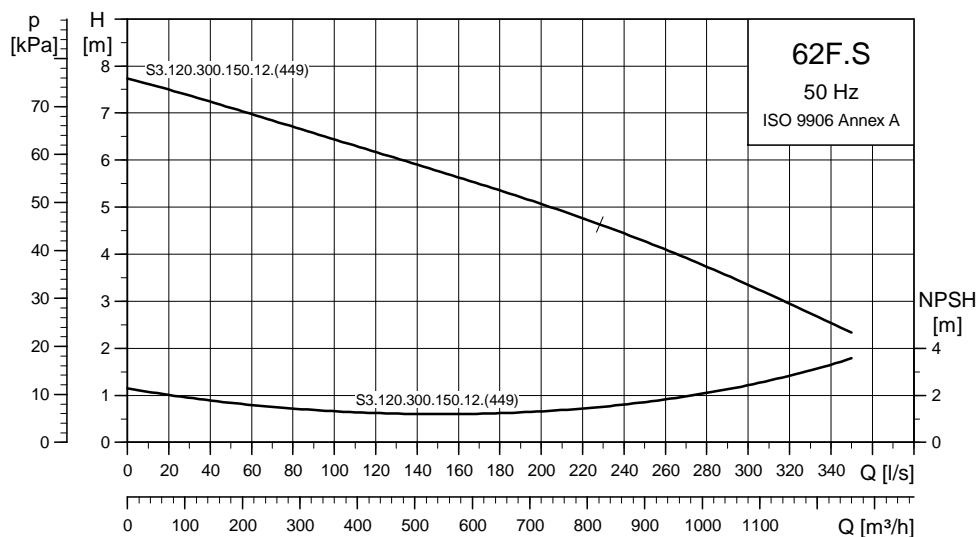
Dimensional sketches



TM04 2411 2508

Size DN	PN	Dc	Dt	D Ø
100	10	180	20	8 x 18
125	10	210	22	8 x 18
150	10	240	22	8 x 22
200	10	295	24	8 x 22
250	10	350	26	12 x 22

Super-low pressure - 3 x 415 V



TM04 0665 0908

TM04 0666 0908

Technical data

Product range and dimensions

Pump type	Installation type	A	C	D	E	F	H	DN 1	DN 2	Weight [kg]	Product number
S3.120.300.150.12.62F.S.449.G.N.D	S	1490	1139	522	700	907	225	-	300	820	96783276
S3.120.300.150.12.62F.C.449.G.N.D	C	1490	1139	522	700	907	225	-	300	900	96783277
S3.120.300.150.12.62F.D.449.G.N.D	D	1544	1139	522	700	907	279	DN 300	300	860	96783278
S3.120.300.150.12.62F.H.449.G.N.D	H	1544	1139	522	700	907	279	DN 300	300	980	96783280

With 10 m cable

Electrical data

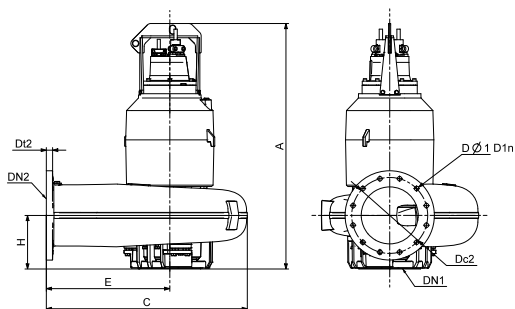
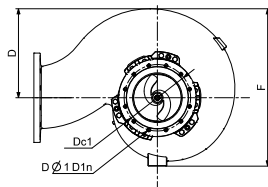
Pump type	P1 [kW]	P2 [kW]	No. of poles	RPM	Starting method	I _N [A]	I _{start} [A]	η _{motor} [%]			Cos φ			Moment of inertia [kgm ²]	Breakdown torque [Nm] M _{max} [Nm]
								1/2	3/4	1/1	1/2	3/4	1/1		
S3.120.300.150.12.62F.S.449.G.N.D	18	15	12	485	Y/D	36	142	83	85	84	0.54	0.65	0.70	2.0893	581
S3.120.300.150.12.62F.C.449.G.N.D	18	15	12	485	Y/D	36	142	83	85	84	0.54	0.65	0.70	2.0893	581
S3.120.300.150.12.62F.D.449.G.N.D	18	15	12	485	Y/D	36	142	83	85	84	0.54	0.65	0.70	2.0893	581
S3.120.300.150.12.62F.H.449.G.N.D	18	15	12	485	Y/D	36	142	83	85	84	0.54	0.65	0.70	2.0893	581

Note: Enclosure class: IP68

Pump data

Pump type	Impeller diameter	Max. solids size	Pump housing pressure	Max. installation depth
	[mm]	[mm]	PN	[m]
S3.120.300.150.12.62F.S.449.G.N.D	449	120	10	20
S3.120.300.150.12.62F.C.449.G.N.D	449	120	10	20
S3.120.300.150.12.62F.D.449.G.N.D	449	120	10	20
S3.120.300.150.12.62F.H.449.G.N.D	449	120	10	20

Dimensional sketches

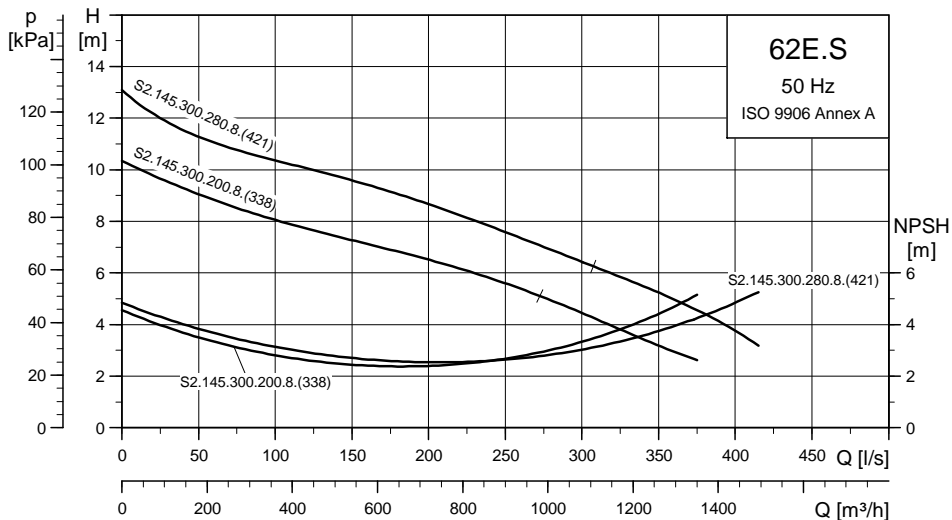


TM04 2411 2508

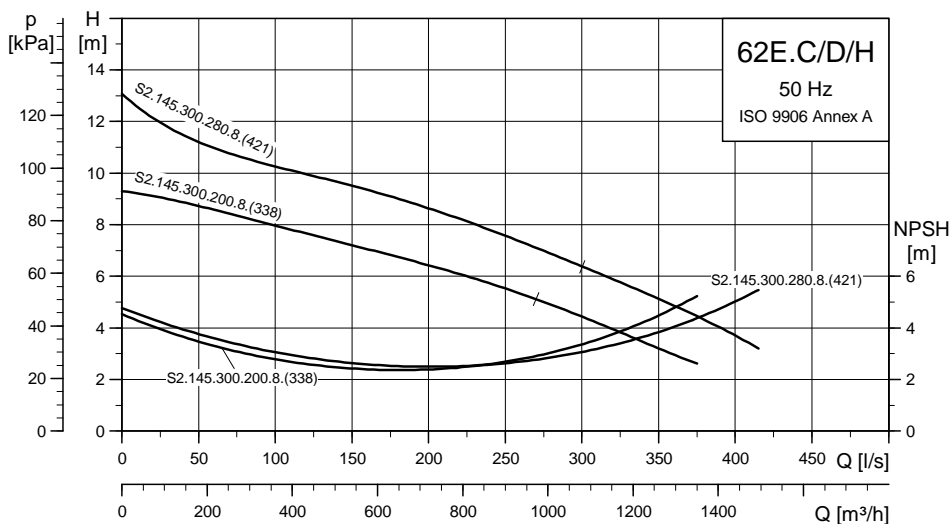
Size DN	PN	Dc	Dt	DØ
100	10	180	20	8 x 18
125	10	210	22	8 x 18
150	10	240	22	8 x 22
200	10	295	24	8 x 22
250	10	350	26	12 x 22

Extra-low pressure - 3 x 400/690 V

S2.145.300



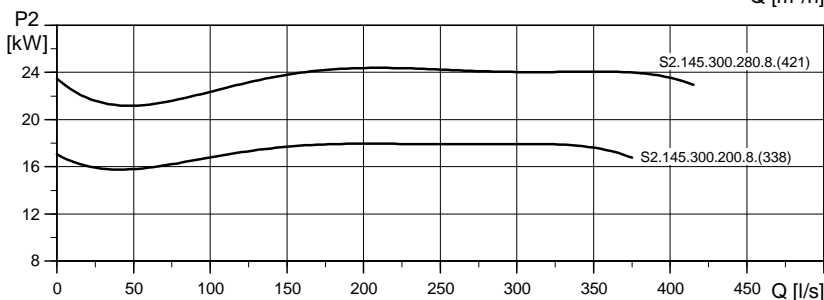
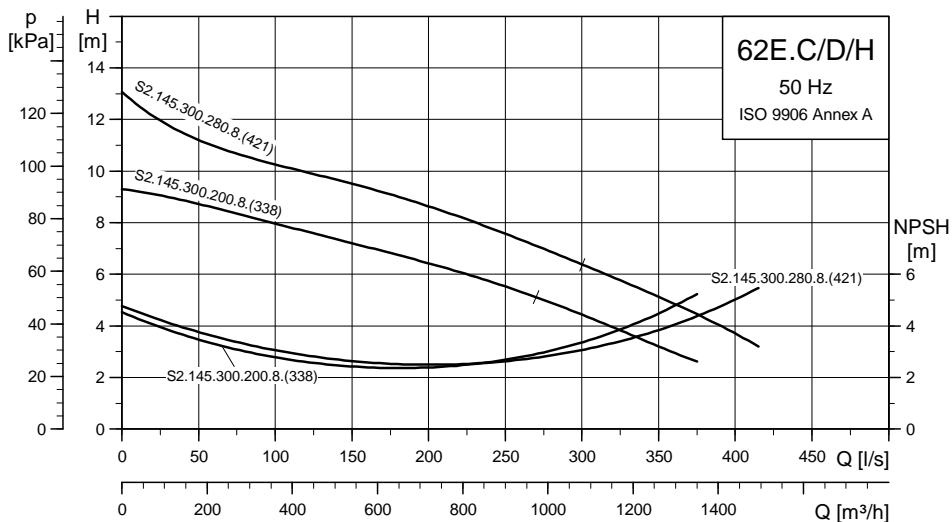
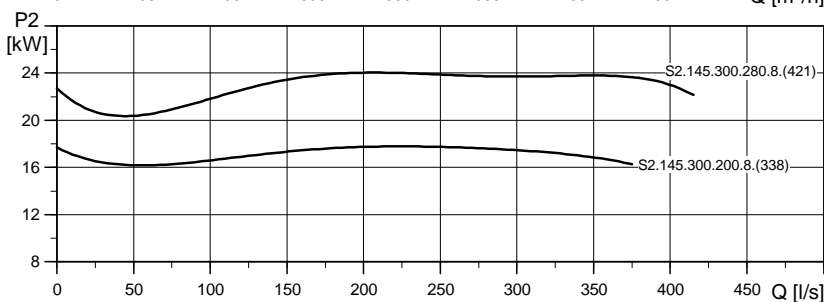
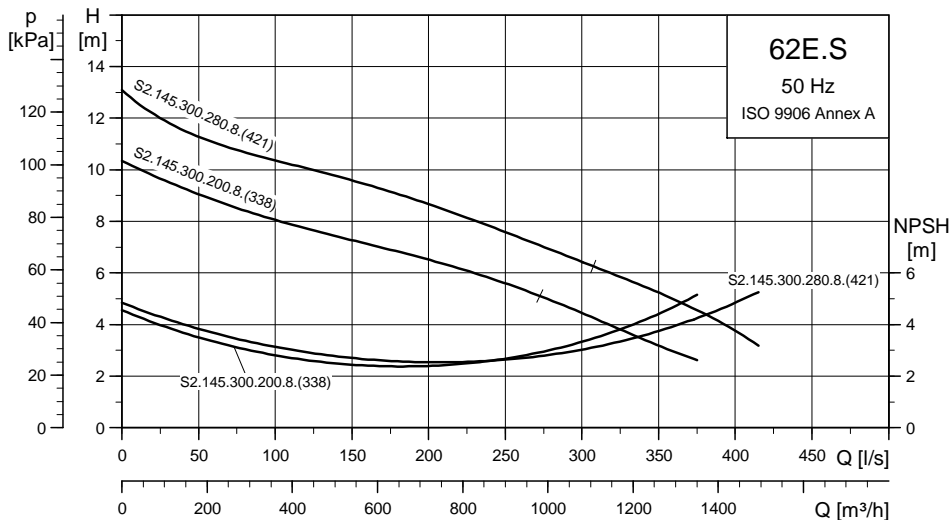
TM04 0661 0908



TM04 0662 0908

Extra-low pressure - 3 x 415 V

S2.145.300



TM04 0661 0908

TM04 0662 0908

Product range and dimensions

Pump type	Installation type	A	C	D	E	F	H	DN 1	DN 2	Weight [kg]	Product number
S2.145.300.200.8.62E.S.388.G.N.D	S	1490	1139	522	700	907	225	-	300	820	96783236
S2.145.300.200.8.62E.C.388.G.N.D	C	1490	1139	522	700	907	225	-	300	900	96783237
S2.145.300.200.8.62E.D.388.G.N.D	D	1544	1139	522	700	907	279	DN 300	300	860	96783238
S2.145.300.200.8.62E.H.388.G.N.D	H	1544	1139	522	700	907	279	DN 300	300	900	96783240
S2.145.300.280.8.62E.S.421.G.N.D	S	1490	1139	522	700	907	225	-	300	820	96783241
S2.145.300.280.8.62E.C.421.G.N.D	C	1490	1139	522	700	907	225	-	300	900	96783242
S2.145.300.280.8.62E.D.421.G.N.D	D	1544	1139	522	700	907	279	DN 300	300	860	96783243
S2.145.300.280.8.62E.H.421.G.N.D	H	1544	1139	522	700	907	279	DN 300	300	900	96783245

With 10 m cable

Electrical data

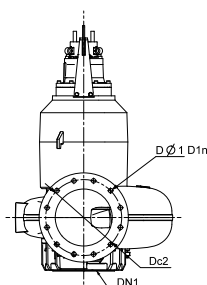
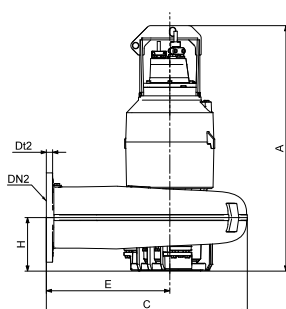
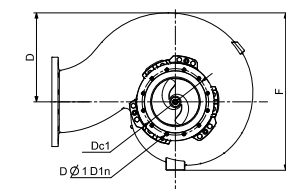
Pump type	P1 [kW]	P2 [kW]	No. of poles	RPM	Starting method	I _N		η _{motor} [%]			Cos φ			Moment of inertia [kgm ²]	Breakdown torque [Nm] M _{max}
						[A]	[A]	1/2	3/4	1/1	1/2	3/4	1/1		
S2.145.300.200.8.62E.S.388.G.N.D	23	20	8	735	Y/D	40	258	85	88	89	0.62	0.73	0.80	1.5143	700
S2.145.300.200.8.62E.C.388.G.N.D	23	20	8	735	Y/D	40	258	85	88	89	0.62	0.73	0.80	1.5143	700
S2.145.300.200.8.62E.D.388.G.N.D	23	20	8	735	Y/D	40	258	85	88	89	0.62	0.73	0.80	1.5143	700
S2.145.300.200.8.62E.H.388.G.N.D	23	20	8	735	Y/D	40	258	85	88	89	0.62	0.73	0.80	1.5143	700
S2.145.300.280.8.62E.S.421.G.N.D	32	28	8	726	Y/D	54	258	87	89	87	0.71	0.81	0.84	1.769	700
S2.145.300.280.8.62E.C.421.G.N.D	32	28	8	726	Y/D	54	258	87	89	87	0.71	0.81	0.84	1.769	700
S2.145.300.280.8.62E.D.421.G.N.D	32	28	8	726	Y/D	54	258	87	89	87	0.71	0.81	0.84	1.769	700
S2.145.300.280.8.62E.H.421.G.N.D	32	28	8	726	Y/D	54	258	87	89	87	0.71	0.81	0.84	1.769	700

Note: Enclosure class: IP68

Pump data

Pump type	Impeller diameter	Max. solids size	Pump housing pressure	Max. installation depth
	[mm]	[mm]	PN	[m]
S2.145.300.200.8.62E.S.388.G.N.D	388	145	10	20
S2.145.300.200.8.62E.C.388.G.N.D	388	145	10	20
S2.145.300.200.8.62E.D.388.G.N.D	388	145	10	20
S2.145.300.200.8.62E.H.388.G.N.D	388	145	10	20
S2.145.300.280.8.62E.S.421.G.N.D	421	145	10	20
S2.145.300.280.8.62E.C.421.G.N.D	421	145	10	20
S2.145.300.280.8.62E.D.421.G.N.D	421	145	10	20
S2.145.300.280.8.62E.H.421.G.N.D	421	145	10	20

Dimensional sketches

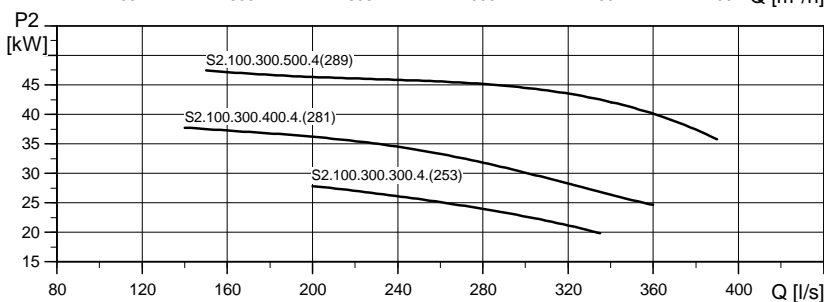
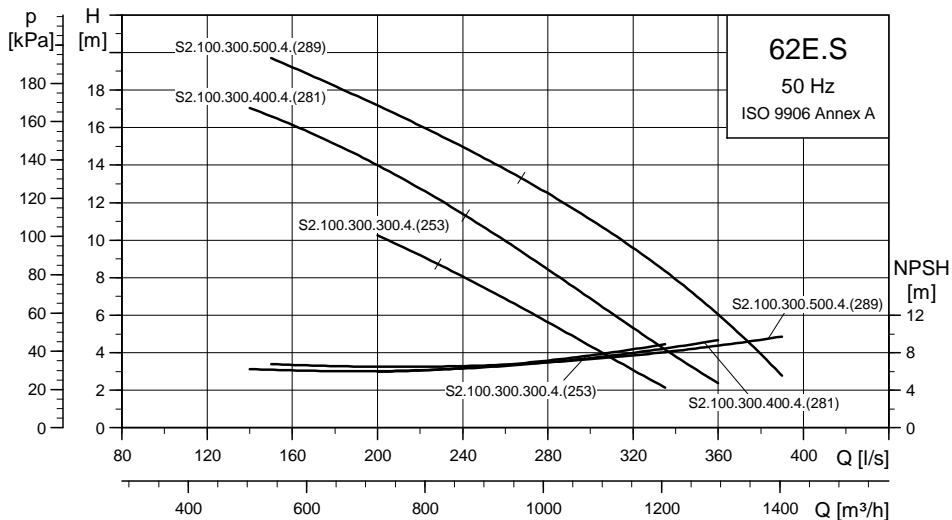


TMD4 2411 2508

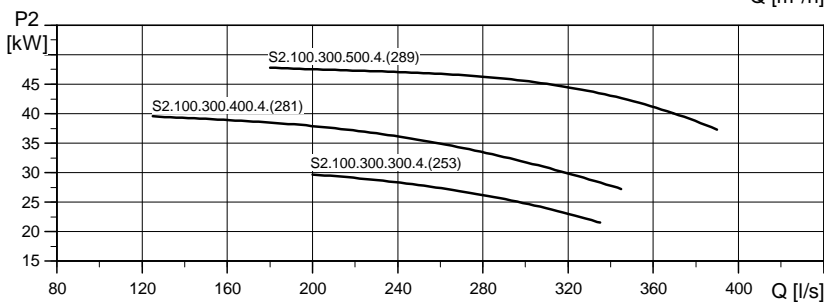
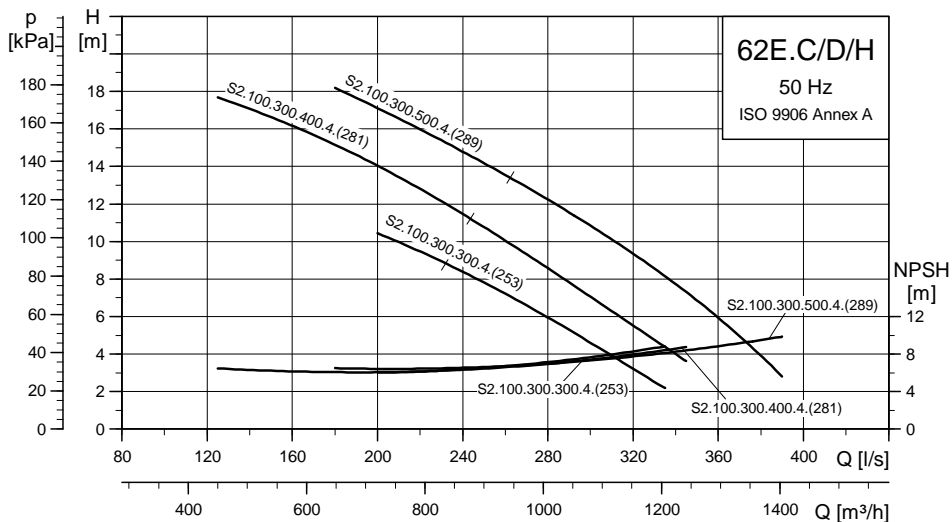
Size DN	PN	Dc	Dt	DØ
100	10	180	20	8 x 18
125	10	210	22	8 x 18
150	10	240	22	8 x 22
200	10	295	24	8 x 22
250	10	350	26	12 x 22

Extra-low pressure - 3 x 400/690 V

S2.100.300



TM04 0663 0908



TM04 0664 0908

Product range and dimensions

Pump type	Installation type	A	C	D	E	F	H	DN 1	DN 2	Weight [kg]	Product number
S2.100.300.300.4.62E.S.253.G.N.D	S	1500	1235	484	800	869	266	-	300	760	95113230
S2.100.300.300.4.62E.C.253.G.N.D	C	1500	1235	484	800	869	266	-	300	840	95113231
S2.100.300.300.4.62E.D.253.G.N.D	D	1536	1235	484	800	869	302	DN 250	300	800	95113232
S2.100.300.400.4.62E.S.281.G.N.D	S	1500	1235	484	800	869	266	-	300	760	95113233
S2.100.300.400.4.62E.C.281.G.N.D	C	1500	1235	484	800	869	266	-	300	840	95113234
S2.100.300.400.4.62E.D.281.G.N.D	D	1536	1235	484	800	869	302	DN 250	300	800	95113235
S2.100.300.500.4.62E.S.289.G.N.D	S	1500	1235	484	800	869	266	-	300	780	95113236
S2.100.300.500.4.62E.C.289.G.N.D	C	1500	1235	484	800	869	266	-	300	860	95113237
S2.100.300.500.4.62E.D.289.G.N.D	D	1536	1235	484	800	869	302	DN 250	300	820	95113238
S2.100.300.300.4.62E.H.253.G.N.D	H	1536	1235	484	800	869	302	DN 250	300	840	96783255
S2.100.300.400.4.62E.H.281.G.N.D	H	1536	1235	484	800	869	302	DN 250	300	840	96783260
S2.100.300.500.4.62E.H.289.G.N.D	H	1536	1235	484	800	869	302	DN 250	300	800	96783265

With 10 m cable

Electrical data

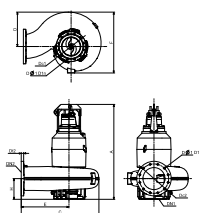
Pump type	P1 [kW]	P2 [kW]	No. of poles	RPM	Starting method	I _N		η _{motor} [%]			Cos φ			Moment of inertia [kgm ²]	Breakdown torque [Nm] M _{max} [Nm]
						[A]	[A]	1/2	3/4	1/1	1/2	3/4	1/1		
S2.100.300.300.4.62E.S.253.G.N.D	34	30	4	1482	Y/D	67	460	84	87	89	0.52	0.64	0.73	0.707	700
S2.100.300.300.4.62E.C.253.G.N.D	34	30	4	1482	Y/D	67	460	84	87	89	0.52	0.64	0.73	0.707	700
S2.100.300.300.4.62E.D.253.G.N.D	34	30	4	1482	Y/D	67	460	84	87	89	0.52	0.64	0.73	0.707	700
S2.100.300.400.4.62E.S.281.G.N.D	46	41	4	1464	Y/D	84	460	86	89	89	0.61	0.74	0.80	0.768	700
S2.100.300.400.4.62E.C.281.G.N.D	48	43	4	1464	Y/D	88	460	87	89	89	0.63	0.75	0.80	0.768	700
S2.100.300.400.4.62E.D.281.G.N.D	48	43	4	1464	Y/D	88	460	87	89	89	0.63	0.75	0.80	0.768	700
S2.100.300.500.4.62E.S.289.G.N.D	56	50	4	1470	Y/D	102	527	89	90	89	0.63	0.74	0.80	0.881	718
S2.100.300.500.4.62E.C.289.G.N.D	56	50	4	1470	Y/D	102	527	89	90	89	0.63	0.74	0.80	0.881	718
S2.100.300.500.4.62E.D.289.G.N.D	56	50	4	1470	Y/D	102	527	89	90	89	0.63	0.74	0.80	0.881	718
S2.100.300.300.4.62E.H.253.G.N.D	34	30	4	1482	Y/D	67	460	84	87	89	0.52	0.64	0.73	0.707	700
S2.100.300.400.4.62E.H.281.G.N.D	48	43	4	1464	Y/D	88	460	87	89	89	0.63	0.75	0.80	0.768	700
S2.100.300.500.4.62E.H.289.G.N.D	56	50	4	1470	Y/D	102	527	89	90	89	0.63	0.74	0.80	0.881	718

Note: Enclosure class: IP68

Pump data

Pump type	Impeller diameter	Max. solids size	Pump housing pressure	Max. installation depth
	[mm]	[mm]	PN	[m]
S2.100.300.300.4.62E.S.253.G.N.D	253	100	10	20
S2.100.300.300.4.62E.C.253.G.N.D	253	100	10	20
S2.100.300.300.4.62E.D.253.G.N.D	253	100	10	20
S2.100.300.400.4.62E.S.281.G.N.D	281	100	10	20
S2.100.300.400.4.62E.C.281.G.N.D	281	100	10	20
S2.100.300.400.4.62E.D.281.G.N.D	281	100	10	20
S2.100.300.500.4.62E.S.289.G.N.D	289	100	10	20
S2.100.300.500.4.62E.C.289.G.N.D	289	100	10	20
S2.100.300.500.4.62E.D.289.G.N.D	289	100	10	20
S2.100.300.300.4.62E.H.253.G.N.D	253	100	10	20
S2.100.300.400.4.62E.H.281.G.N.D	281	100	10	20
S2.100.300.500.4.62E.H.289.G.N.D	289	100	10	20

Dimensional sketches

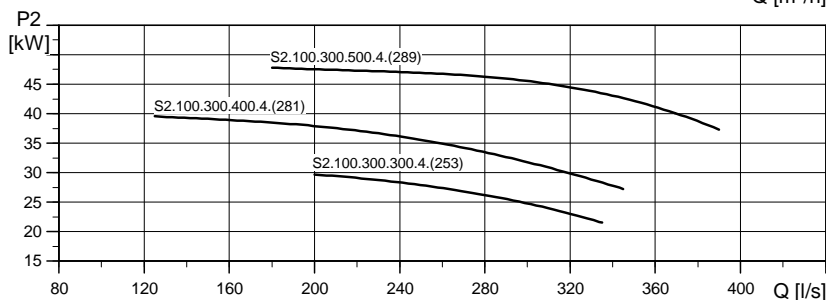
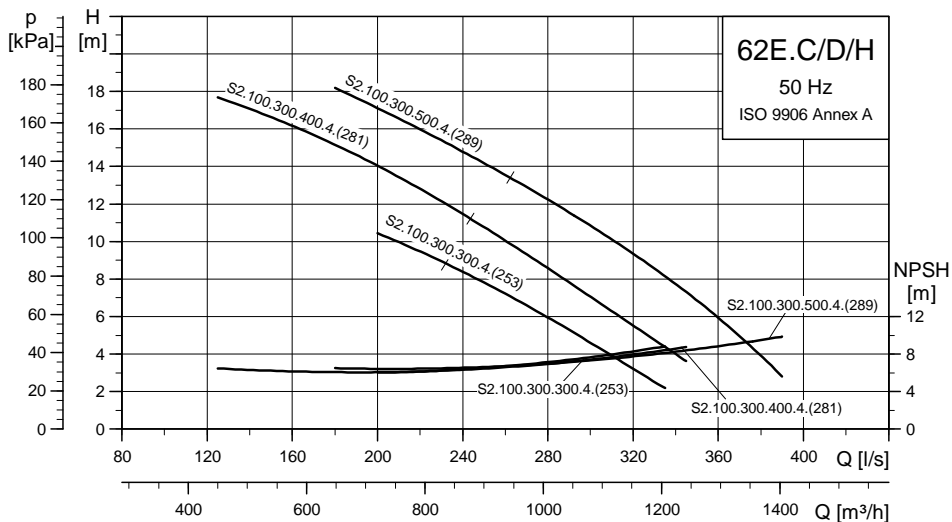
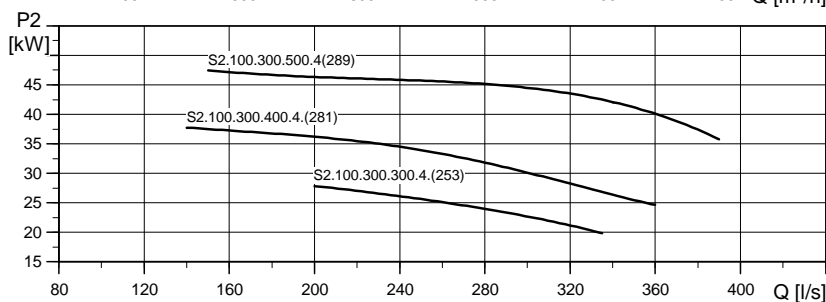
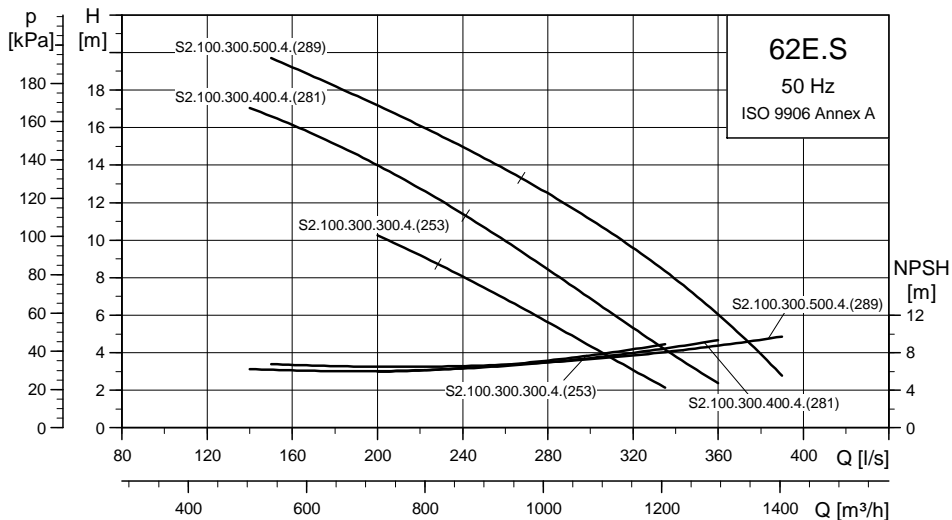


TM04 2411 2508

Size DN	PN	Dc	Dt	DØ
100	10	180	20	8 x 18
125	10	210	22	8 x 18
150	10	240	22	8 x 22
200	10	295	24	8 x 22
250	10	350	26	12 x 22

Extra-low pressure - 3 x 415 V

S2.100.300



TM04 0663 0908

TM04 0664 0908

Technical data

Product range and dimensions

Pump type	Installation type	A	C	D	E	F	H	DN 1	DN 2	Weight [kg]	Product number
S2.100.300.300.4.62E.S.253.G.N.D	S	1500	1235	484	800	869	266	-	300	760	96783252
S2.100.300.300.4.62E.C.253.G.N.D	C	1500	1235	484	800	869	266	-	300	840	96783253
S2.100.300.300.4.62E.D.253.G.N.D	D	1536	1235	484	800	869	302	DN 250	300	800	96783254
S2.100.300.300.4.62E.H.253.G.N.D	H	1536	1235	484	800	869	302	DN 250	300	840	96783256
S2.100.300.400.4.62E.S.281.G.N.D	S	1500	1235	484	800	869	266	-	300	760	96783257
S2.100.300.400.4.62E.C.281.G.N.D	C	1500	1235	484	800	869	266	-	300	840	96783258
S2.100.300.400.4.62E.D.281.G.N.D	D	1536	1235	484	800	869	302	DN 250	300	800	96783259
S2.100.300.400.4.62E.H.281.G.N.D	H	1536	1235	484	800	869	302	DN 250	300	840	96783261
S2.100.300.500.4.62E.S.289.G.N.D	S	1500	1235	484	800	869	266	-	300	780	96783262
S2.100.300.500.4.62E.C.289.G.N.D	C	1500	1235	484	800	869	266	-	300	860	96783263
S2.100.300.500.4.62E.D.289.G.N.D	D	1536	1235	484	800	869	302	DN 250	300	820	96783264
S2.100.300.500.4.62E.H.289.G.N.D	H	1536	1235	484	800	869	302	DN 250	300	800	96783266

With 10 m cable

Electrical data

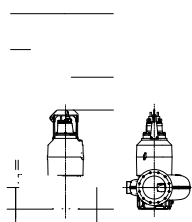
Pump type	P1 [kW]	P2 [kW]	No. of poles	RPM	Starting method	I _n		η _{motor} [%]			Cos φ			Moment of inertia [kgm ²]	Breakdown torque [Nm] M _{max} [Nm]
						[A]	[A]	1/2	3/4	1/1	1/2	3/4	1/1		
S2.100.300.300.4.62E.S.253.G.N.D	34	30	4	1482	Y/D	64	437	84	87	89	0.52	0.65	0.74	0.707	700
S2.100.300.300.4.62E.C.253.G.N.D	34	30	4	1482	Y/D	64	437	84	87	89	0.52	0.65	0.74	0.707	700
S2.100.300.300.4.62E.D.253.G.N.D	34	30	4	1482	Y/D	64	437	84	87	89	0.52	0.65	0.74	0.707	700
S2.100.300.300.4.62E.H.253.G.N.D	34	30	4	1482	Y/D	64	437	84	87	89	0.52	0.65	0.74	0.707	700
S2.100.300.400.4.62E.S.281.G.N.D	46	41	4	1464	Y/D	82	437	87	89	89	0.62	0.75	0.79	0.768	700
S2.100.300.400.4.62E.C.281.G.N.D	49	43	4	1464	Y/D	86	437	87	89	89	0.64	0.76	0.79	0.768	700
S2.100.300.400.4.62E.D.281.G.N.D	49	43	4	1464	Y/D	86	437	87	89	89	0.64	0.76	0.79	0.768	700
S2.100.300.400.4.62E.H.281.G.N.D	49	43	4	1464	Y/D	86	437	87	89	89	0.64	0.76	0.79	0.768	700
S2.100.300.500.4.62E.S.289.G.N.D	56	50	4	1470	Y/D	98	508	89	90	89	0.63	0.74	0.80	0.881	718
S2.100.300.500.4.62E.C.289.G.N.D	56	50	4	1470	Y/D	98	508	89	90	89	0.63	0.74	0.80	0.881	718
S2.100.300.500.4.62E.D.289.G.N.D	56	50	4	1470	Y/D	98	508	89	90	89	0.63	0.74	0.80	0.881	718
S2.100.300.500.4.62E.H.289.G.N.D	56	50	4	1470	Y/D	98	508	89	90	89	0.63	0.74	0.80	0.881	718

Note: Enclosure class: IP68

Pump data

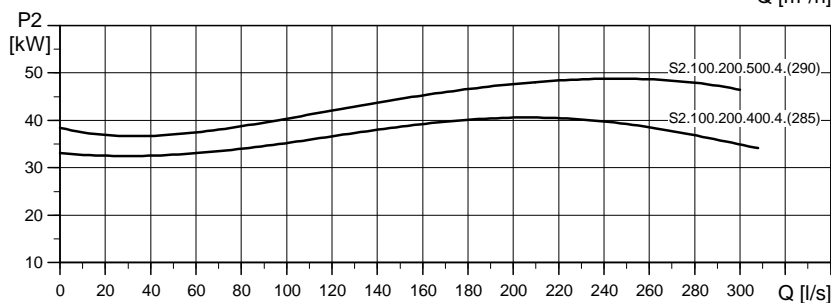
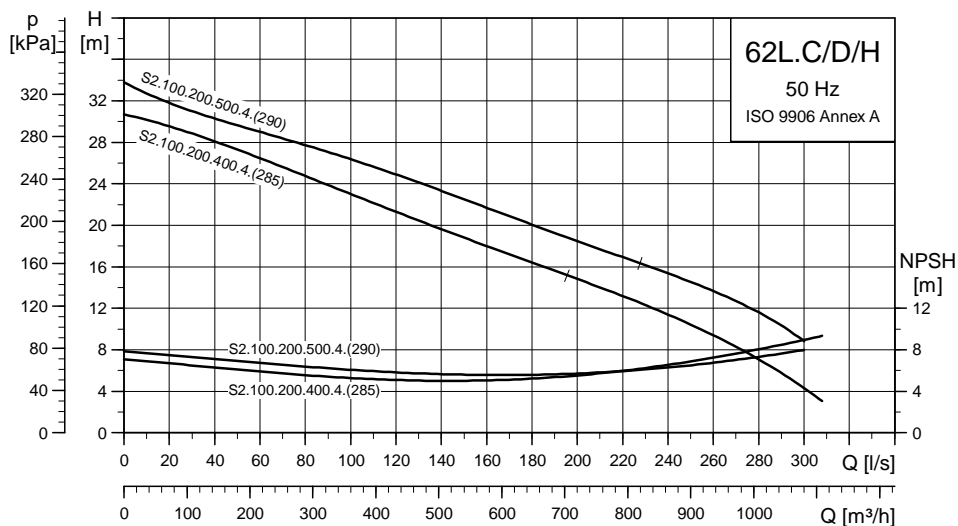
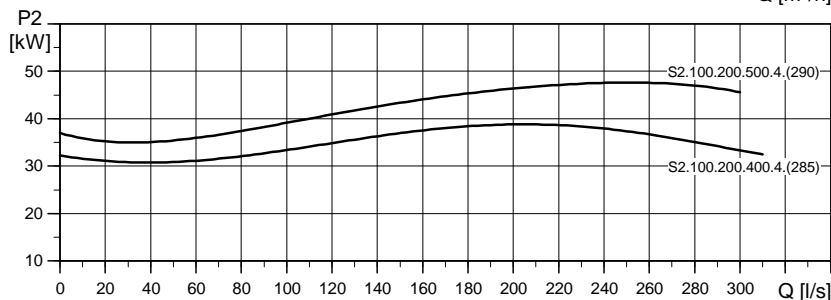
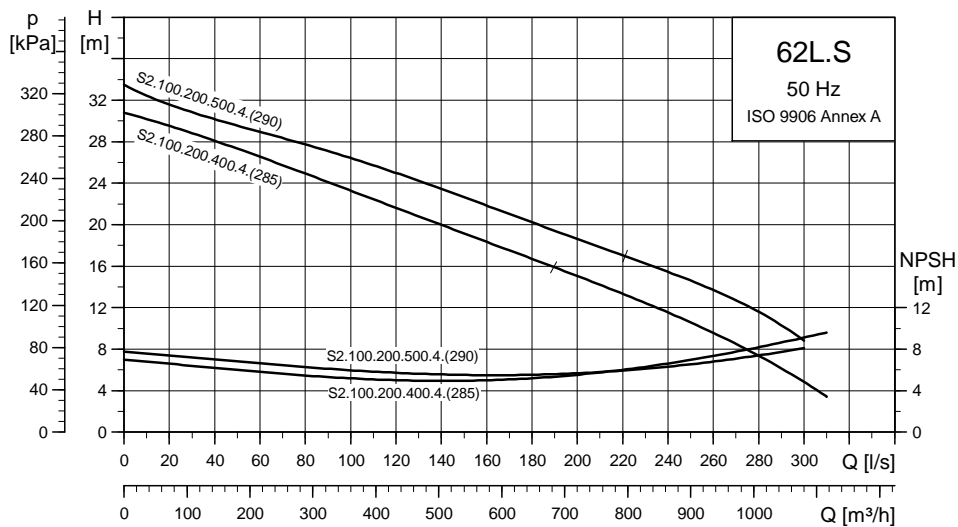
Pump type	Impeller diameter [mm]	Max. solids size [mm]	Pump housing pressure PN	Max. installation depth [m]
S2.100.300.300.4.62E.S.253.G.N.D	253	100	10	20
S2.100.300.300.4.62E.C.253.G.N.D	253	100	10	20
S2.100.300.300.4.62E.D.253.G.N.D	253	100	10	20
S2.100.300.300.4.62E.H.253.G.N.D	253	100	10	20
S2.100.300.400.4.62E.S.281.G.N.D	281	100	10	20
S2.100.300.400.4.62E.C.281.G.N.D	281	100	10	20
S2.100.300.400.4.62E.D.281.G.N.D	281	100	10	20
S2.100.300.400.4.62E.H.281.G.N.D	281	100	10	20
S2.100.300.500.4.62E.S.289.G.N.D	289	100	10	20
S2.100.300.500.4.62E.C.289.G.N.D	289	100	10	20
S2.100.300.500.4.62E.D.289.G.N.D	289	100	10	20
S2.100.300.500.4.62E.H.289.G.N.D	289	100	10	20

Dimensional sketches



TM04 2411 2508

Low pressure - 3 x 400/690 V



TM04 0669 0908

TM04 0670 0908

Product range and dimensions

Pump type	Installation type	A	C	D	E	F	H	DN 1	DN 2	Weight [kg]	Product number
S2.100.200.400.4.62L.S.285.G.N.D	S	1471	960	356	660	646	240	-	200	640	95113224
S2.100.200.400.4.62L.C.285.G.N.D	C	1471	960	356	660	646	240	-	200	700	95113225
S2.100.200.400.4.62L.H.285.G.N.D	H	1494	960	356	660	646	263	DN 250	200	770	95113226
S2.100.200.400.4.62L.D.285.G.N.D	D	1494	960	356	660	646	263	DN 250	200	770	95113653
S2.100.200.500.4.62L.S.290.G.N.D	S	1471	960	356	660	646	240	-	200	660	95113227
S2.100.200.500.4.62L.C.290.G.N.D	C	1471	960	356	660	646	240	-	200	730	95113228
S2.100.200.500.4.62L.H.290.G.N.D	H	1494	960	356	660	646	263	DN 250	200	790	95113229
S2.100.200.500.4.62L.D.290.G.N.D	D	1494	960	356	660	646	263	DN 250	200	790	95113656

With 10 m cable

Electrical data

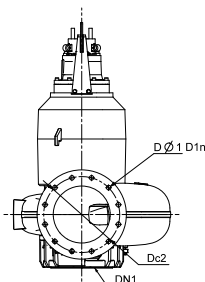
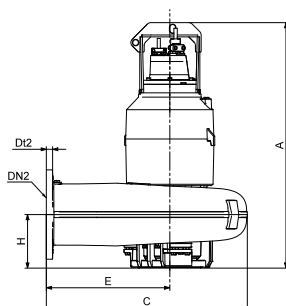
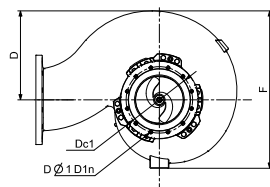
Pump type	P1 [kW]	P2 [kW]	No. of poles	RPM	Starting method	I_N			$\eta_{\text{motor}} [\%]$			$\text{Cos } \varphi$			Moment of inertia [kgm ²]	Breakdown torque [Nm] M_{max}
						[A]	[A]	[A]	1/2	3/4	1/1	1/2	3/4	1/1		
S2.100.200.400.4.62L.S.285.G.N.D	46	41	4	1464	Y/D	84	460	86	89	89	0.61	0.74	0.80	0.7977	700	
S2.100.200.400.4.62L.C.285.G.N.D	48	43	4	1464	Y/D	88	460	87	89	89	0.63	0.75	0.80	0.7977	700	
S2.100.200.400.4.62L.H.285.G.N.D	48	43	4	1464	Y/D	88	460	87	89	89	0.63	0.75	0.80	0.7977	700	
S2.100.200.400.4.62L.D.285.G.N.D	48	43	4	1464	Y/D	88	460	87	89	89	0.63	0.75	0.80	0.7977	700	
S2.100.200.500.4.62L.S.290.G.N.D	56	50	4	1470	Y/D	102	527	89	90	89	0.63	0.74	0.80	0.8653	718	
S2.100.200.500.4.62L.C.290.G.N.D	56	50	4	1470	Y/D	102	527	89	90	89	0.63	0.74	0.80	0.8653	718	
S2.100.200.500.4.62L.H.290.G.N.D	56	50	4	1470	Y/D	102	527	89	90	89	0.63	0.74	0.80	0.8653	718	
S2.100.200.500.4.62L.D.290.G.N.D	56	50	4	1470	Y/D	102	527	89	90	89	0.63	0.74	0.80	0.8653	718	

Note: Enclosure class: IP68

Pump data

Pump type	Impeller diameter	Max. solids size	Pump housing pressure	Max. installation depth
	[mm]	[mm]	PN	[m]
S2.100.200.400.4.62L.S.285.G.N.D	285	100	10	20
S2.100.200.400.4.62L.C.285.G.N.D	285	100	10	20
S2.100.200.400.4.62L.H.285.G.N.D	285	100	10	20
S2.100.200.400.4.62L.D.285.G.N.D	285	100	10	20
S2.100.200.500.4.62L.S.290.G.N.D	290	100	10	20
S2.100.200.500.4.62L.C.290.G.N.D	290	100	10	20
S2.100.200.500.4.62L.H.290.G.N.D	290	100	10	20
S2.100.200.500.4.62L.D.290.G.N.D	290	100	10	20

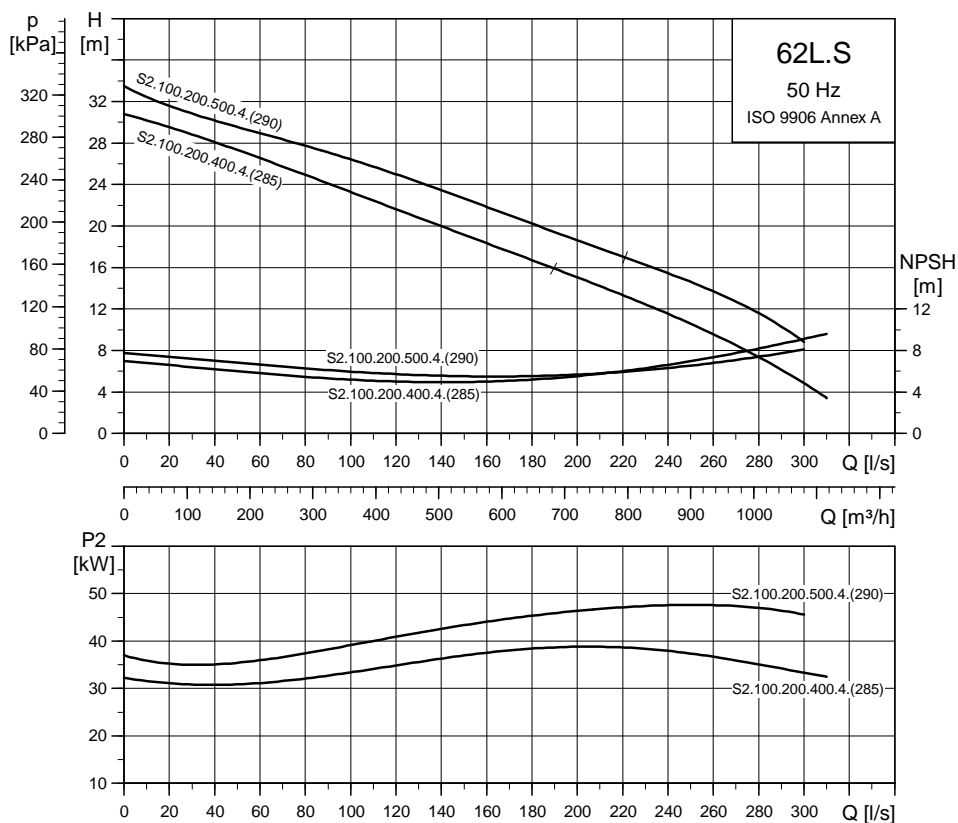
Dimensional sketches



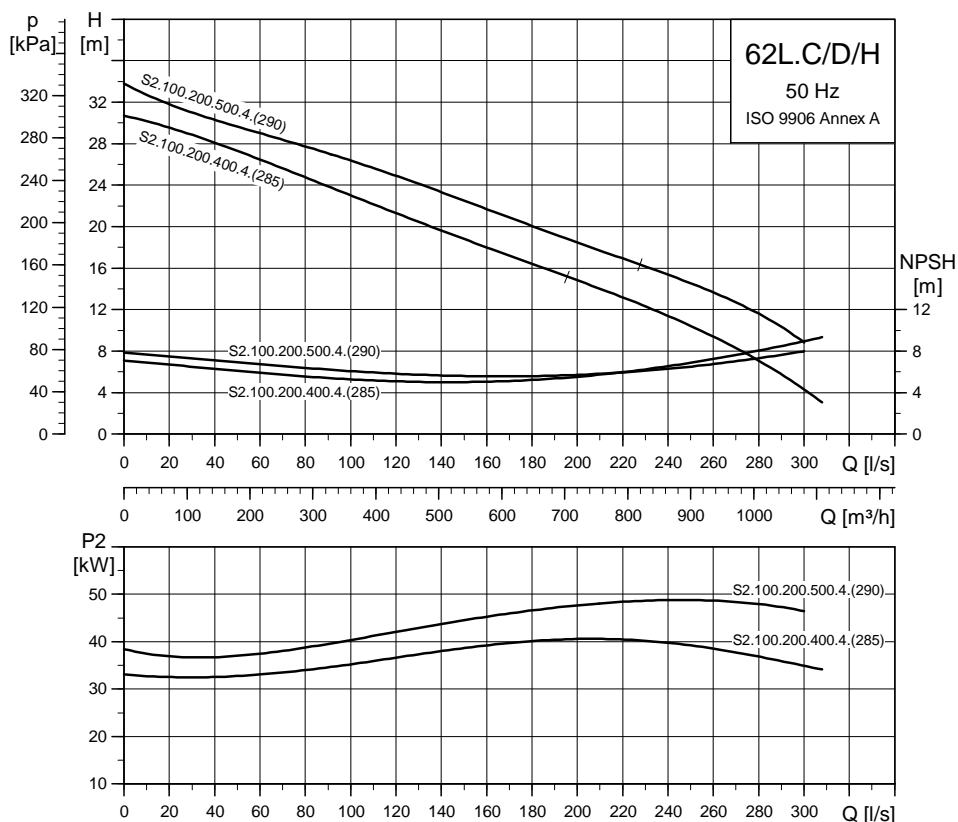
TMD4 2411 2508

Size DN	PN	Dc	Dt	DØ
100	10	180	20	8 x 18
125	10	210	22	8 x 18
150	10	240	22	8 x 22
200	10	295	24	8 x 22
250	10	350	26	12 x 22

Low pressure - 3 x 415 V



TM04 0669 0908



TM04 0670 0908

Product range and dimensions

Pump type	Installation type	A	C	D	E	F	H	DN 1	DN 2	Weight [kg]	Product number
S2.100.200.400.4.62L.S.285.G.N.D	S	1471	960	356	660	646	240	-	200	640	96783246
S2.100.200.400.4.62L.D.285.G.N.D	D	1494	960	356	660	646	263	DN 250	200	770	96781870
S2.100.200.400.4.62L.C.285.G.N.D	C	1471	960	356	660	646	240	-	200	700	96783247
S2.100.200.400.4.62L.H.285.G.N.D	H	1494	960	356	660	646	263	DN 250	200	770	96783248
S2.100.200.500.4.62L.D.290.G.N.D	D	1494	960	356	660	646	263	DN 250	200	790	96781873
S2.100.200.500.4.62L.S.290.G.N.D	S	1471	960	356	660	646	240	-	200	660	96783249
S2.100.200.500.4.62L.C.290.G.N.D	C	1471	960	356	660	646	240	-	200	730	96783250
S2.100.200.500.4.62L.H.290.G.N.D	H	1494	960	356	660	646	263	DN 250	200	790	96783251

With 10 m cable

Electrical data

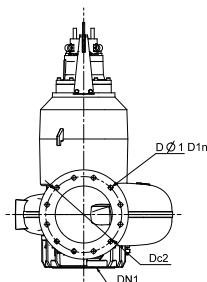
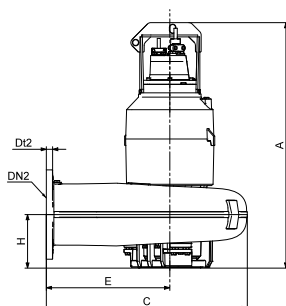
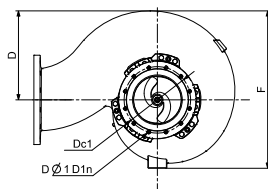
Pump type	P1 [kW]	P2 [kW]	No. of poles	RPM	Starting method	I_N			$\eta_{\text{motor}} [\%]$			$\text{Cos } \varphi$			Moment of inertia [kgm ²]	Breakdown torque [Nm] M_{max}
						[A]	[A]	[A]	1/2	3/4	1/1	1/2	3/4	1/1		
S2.100.200.400.4.62L.S.285.G.N.D	46	41	4	1464	Y/D	82	437	87	89	89	0.62	0.75	0.79	0.7977	700	
S2.100.200.400.4.62L.D.285.G.N.D	49	43	4	1464	Y/D	86	437	87	89	89	0.64	0.76	0.79	0.7977	700	
S2.100.200.400.4.62L.C.285.G.N.D	49	43	4	1464	Y/D	86	437	87	89	89	0.64	0.76	0.79	0.7977	700	
S2.100.200.400.4.62L.H.285.G.N.D	49	43	4	1464	Y/D	86	437	87	89	89	0.64	0.76	0.79	0.7977	700	
S2.100.200.500.4.62L.D.290.G.N.D	56	50	4	1470	Y/D	98	508	89	90	89	0.63	0.74	0.80	0.8653	718	
S2.100.200.500.4.62L.S.290.G.N.D	56	50	4	1470	Y/D	98	508	89	90	89	0.63	0.74	0.80	0.8653	718	
S2.100.200.500.4.62L.C.290.G.N.D	56	50	4	1470	Y/D	98	508	89	90	89	0.63	0.74	0.80	0.8653	718	
S2.100.200.500.4.62L.H.290.G.N.D	56	50	4	1470	Y/D	98	508	89	90	89	0.63	0.74	0.80	0.8653	718	

Note: Enclosure class: IP68

Pump data

Pump type	Impeller diameter	Max. solids size	Pump housing pressure	Max. installation depth
	[mm]	[mm]	PN	[m]
S2.100.200.400.4.62L.S.285.G.N.D	285	100	10	20
S2.100.200.400.4.62L.D.285.G.N.D	285	100	10	20
S2.100.200.400.4.62L.C.285.G.N.D	285	100	10	20
S2.100.200.400.4.62L.H.285.G.N.D	285	100	10	20
S2.100.200.500.4.62L.D.290.G.N.D	290	100	10	20
S2.100.200.500.4.62L.S.290.G.N.D	290	100	10	20
S2.100.200.500.4.62L.C.290.G.N.D	290	100	10	20
S2.100.200.500.4.62L.H.290.G.N.D	290	100	10	20

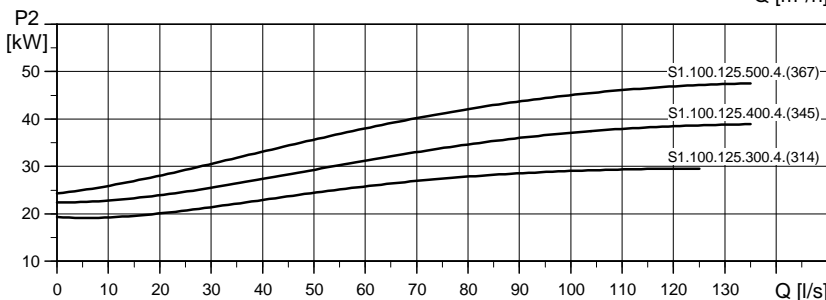
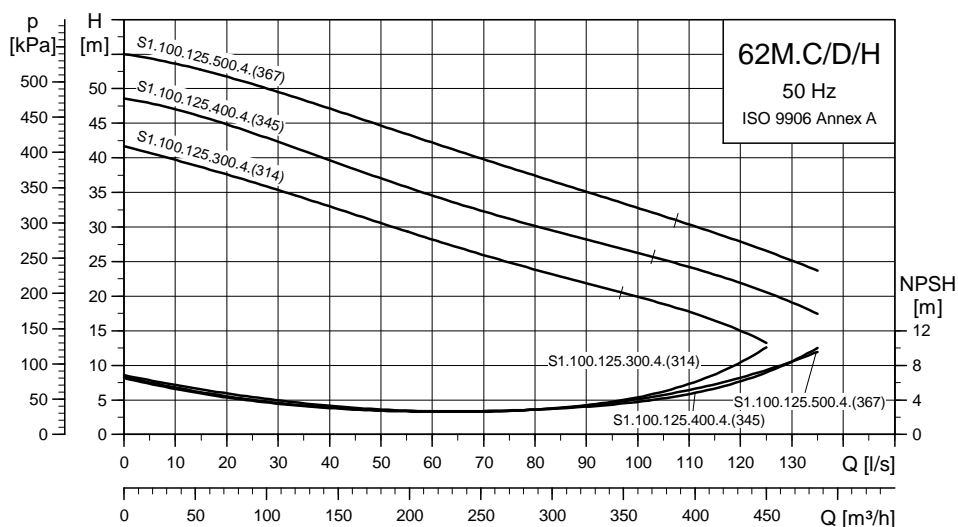
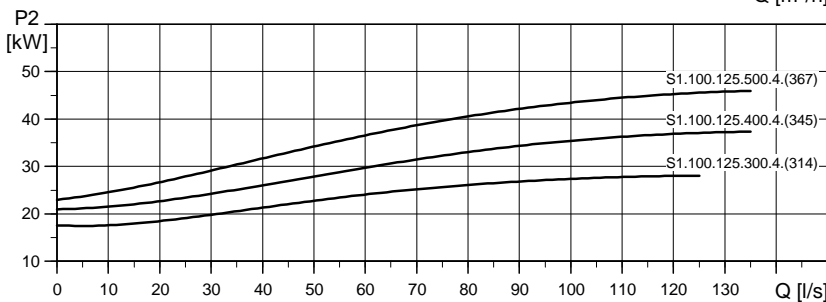
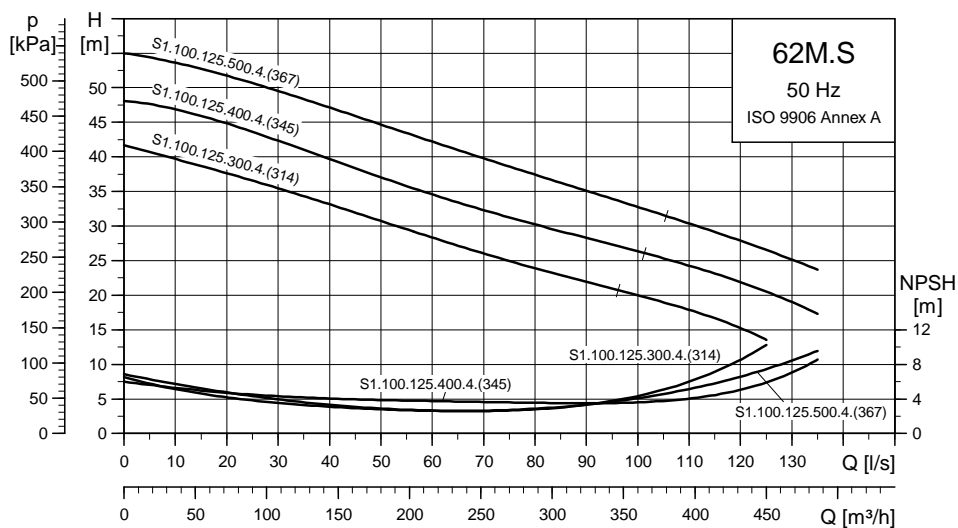
Dimensional sketches



TMD4 2411 2508

Size DN	PN	Dc	Dt	DØ
100	10	180	20	8 x 18
125	10	210	22	8 x 18
150	10	240	22	8 x 22
200	10	295	24	8 x 22
250	10	350	26	12 x 22

Medium pressure - 3 x 400/690 V



TM04 0671 0908

TM04 0672 0908

Product range and dimensions

Pump type	Installation type	A	C	D	E	F	H	DN 1	DN 2	Weight [kg]	Product number
S1.100.125.300.4.62M.S.314.G.N.D	S	1463	690	276	440	552	245	-	125	600	95113239
S1.100.125.300.4.62M.C.314.G.N.D	C	1463	690	276	440	552	245	-	125	660	95113240
S1.100.125.300.4.62M.H.314.G.N.D	H	1467	690	276	440	552	249	DN 200	125	720	95113241
S1.100.125.300.4.62M.D.314.G.N.D	D	1467	690	276	440	552	249	DN 200	125	650	95113659
S1.100.125.400.4.62M.S.345.G.N.D	S	1463	690	276	440	552	245	-	125	600	95113242
S1.100.125.400.4.62M.C.345.G.N.D	C	1463	690	276	440	552	245	-	125	660	95113243
S1.100.125.400.4.62M.H.345.G.N.D	H	1467	690	276	440	552	249	DN 200	125	720	95113244
S1.100.125.400.4.62M.D.345.G.N.D	D	1467	690	276	440	552	249	DN 200	125	635	96787705
S1.100.125.500.4.62M.S.367.G.N.D	S	1463	690	276	440	552	245	-	125	620	95113245
S1.100.125.500.4.62M.C.367.G.N.D	C	1463	690	276	440	552	245	-	125	680	95113246
S1.100.125.500.4.62M.H.367.G.N.D	H	1467	690	276	440	552	249	DN 200	125	740	95113247
S1.100.125.500.4.62M.D.367.G.N.D	D	1467	690	276	440	552	249	DN 200	125	740	96787709

With 10 m cable

Electrical data

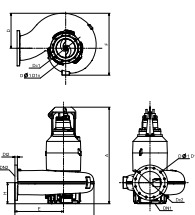
Pump type	P1 [kW]	P2 [kW]	No. of poles	RPM	Starting method	I_N		$\eta_{\text{motor}} [\%]$			$\text{Cos } \varphi$			Moment of inertia [kgm ²]	Breakdown torque [Nm] M_{max}
						[A]	[A]	1/2	3/4	1/1	1/2	3/4	1/1		
S1.100.125.300.4.62M.S.314.G.N.D	34	30	4	1482	Y/D	67	460	84	87	89	0.52	0.64	0.73	0.812	700
S1.100.125.300.4.62M.C.314.G.N.D	34	30	4	1482	Y/D	67	460	84	87	89	0.52	0.64	0.73	0.812	700
S1.100.125.300.4.62M.H.314.G.N.D	34	30	4	1482	Y/D	67	460	84	87	89	0.52	0.64	0.73	0.812	700
S1.100.125.300.4.62M.D.314.G.N.D	34	30	4	1482	Y/D	67	460	84	87	89	0.52	0.64	0.73	0.812	700
S1.100.125.400.4.62M.S.345.G.N.D	46	41	4	1464	Y/D	84	460	86	89	89	0.61	0.74	0.80	0.9417	700
S1.100.125.400.4.62M.C.345.G.N.D	48	43	4	1464	Y/D	88	460	87	89	89	0.63	0.75	0.80	0.9417	700
S1.100.125.400.4.62M.H.345.G.N.D	48	43	4	1464	Y/D	88	460	87	89	89	0.63	0.75	0.80	0.9417	700
S1.100.125.400.4.62M.D.345.G.N.D	48	43	4	1464	Y/D	88	460	87	89	89	0.63	0.75	0.80	0.9417	700
S1.100.125.500.4.62M.S.367.G.N.D	56	50	4	1470	Y/D	102	527	89	90	89	0.63	0.74	0.80	1.125	718
S1.100.125.500.4.62M.C.367.G.N.D	56	50	4	1470	Y/D	102	527	89	90	89	0.63	0.74	0.80	1.125	718
S1.100.125.500.4.62M.H.367.G.N.D	56	50	4	1470	Y/D	102	527	89	90	89	0.63	0.74	0.80	1.125	718
S1.100.125.500.4.62M.D.367.G.N.D	56	50	4	1470	Y/D	102	527	89	90	89	0.63	0.74	0.80	1.125	718

Note: Enclosure class: IP68

Pump data

Pump type	Impeller diameter	Max. solids size	Pump housing pressure	Max. installation depth
	[mm]	[mm]	PN	[m]
S1.100.125.300.4.62M.S.314.G.N.D	314	100	10	20
S1.100.125.300.4.62M.C.314.G.N.D	314	100	10	20
S1.100.125.300.4.62M.H.314.G.N.D	314	100	10	20
S1.100.125.300.4.62M.D.314.G.N.D	314	100	10	20
S1.100.125.400.4.62M.S.345.G.N.D	345	100	10	20
S1.100.125.400.4.62M.C.345.G.N.D	345	100	10	20
S1.100.125.400.4.62M.H.345.G.N.D	345	100	10	20
S1.100.125.400.4.62M.D.345.G.N.D	345	100	10	20
S1.100.125.500.4.62M.S.367.G.N.D	367	100	10	20
S1.100.125.500.4.62M.C.367.G.N.D	367	100	10	20
S1.100.125.500.4.62M.H.367.G.N.D	367	100	10	20
S1.100.125.500.4.62M.D.367.G.N.D	367	100	10	20

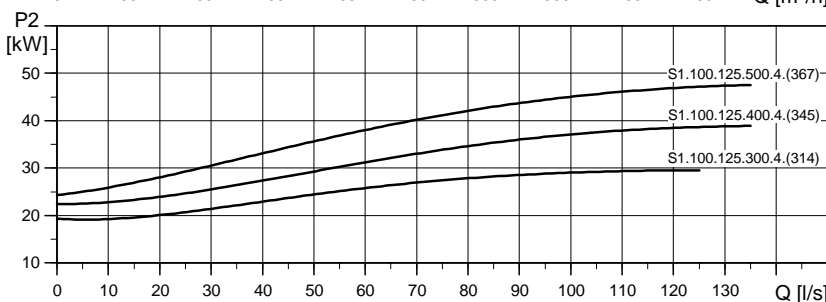
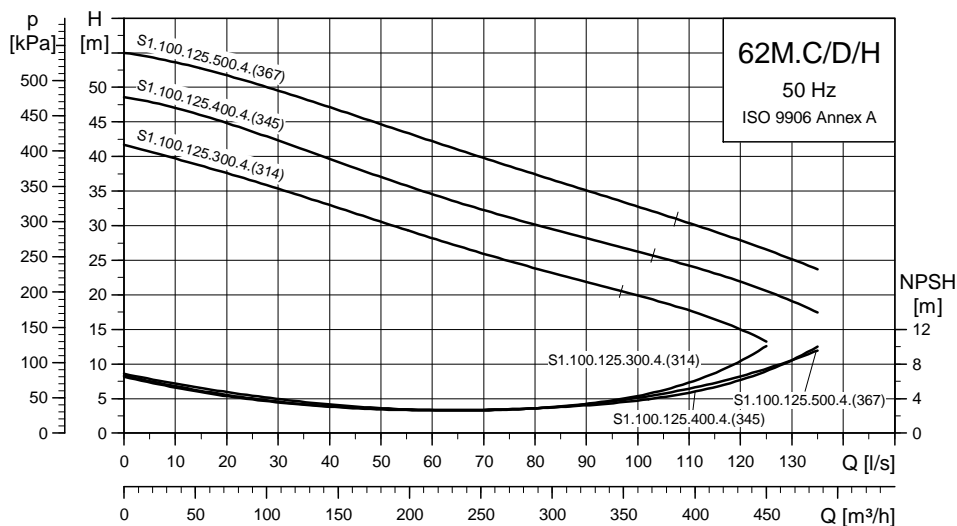
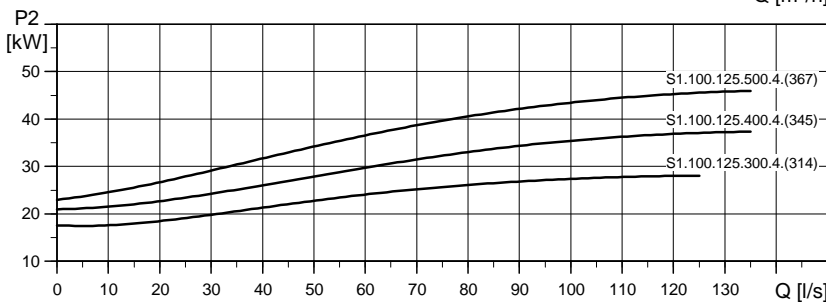
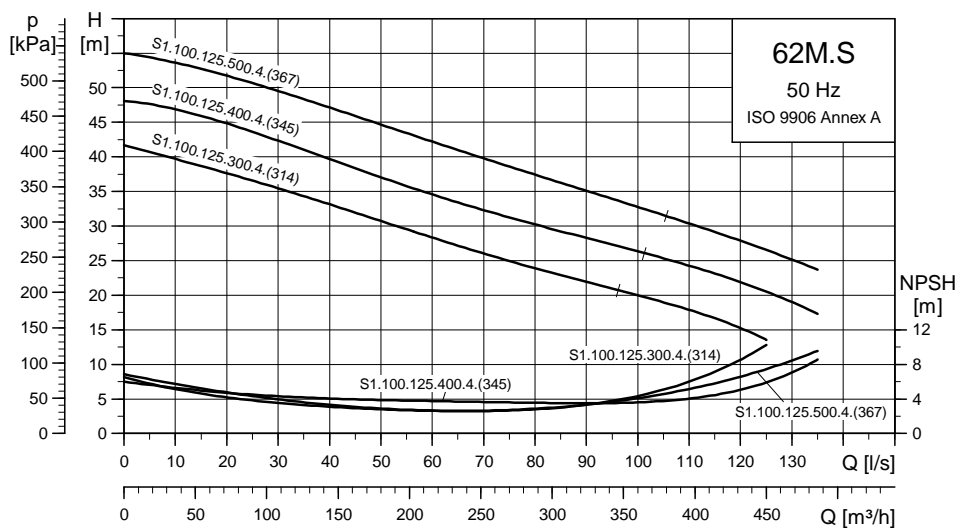
Dimensional sketches



TM04 2411 2508

Size DN	PN	Dc	Dt	DØ
100	10	180	20	8 x 18
125	10	210	22	8 x 18
150	10	240	22	8 x 22
200	10	295	24	8 x 22
250	10	350	26	12 x 22

Medium pressure - 3 x 415 V



TM04 0671 0908

TM04 0672 0908

Product range and dimensions

Pump type	Installation type	A	C	D	E	F	H	DN 1	DN 2	Weight [kg]	Product number
S1.100.125.300.462M.D.314.G.N.D	D	1467	690	276	440	552	249	DN 200	125	650	96781876
S1.100.125.300.4.62M.S.314.G.N.D	S	1463	690	276	440	552	245	-	125	600	96783267
S1.100.125.300.4.62M.C.314.G.N.D	C	1463	690	276	440	552	245	-	125	660	96783268
S1.100.125.300.4.62M.H.314.G.N.D	H	1467	690	276	440	552	249	DN 200	125	720	96783269
S1.100.125.400.4.62M.S.345.G.N.D	S	1463	690	276	440	552	245	-	125	600	96783270
S1.100.125.400.4.62M.C.345.G.N.D	C	1463	690	276	440	552	245	-	125	660	96783271
S1.100.125.400.4.62M.H.345.G.N.D	H	1467	690	276	440	552	249	DN 200	125	720	96783272
S1.100.125.400.4.62M.D.345.G.N.D	D	1467	690	276	440	552	249	DN 200	125	635	96787707
S1.100.125.500.4.62M.S.367.G.N.D	S	1463	690	276	440	552	245	-	125	620	96783273
S1.100.125.500.4.62M.C.367.G.N.D	C	1463	690	276	440	552	245	-	125	680	96783274
S1.100.125.500.4.62M.H.367.G.N.D	H	1467	690	276	440	552	249	DN 200	125	740	96783275
S1.100.125.500.4.62M.D.367.G.N.D	D	1467	690	276	440	552	249	DN 200	125	740	96787710

With 10 m cable

Electrical data

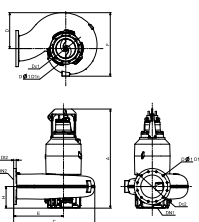
Pump type	P1 [kW]	P2 [kW]	No. of poles	RPM	Starting method	I_N		$\eta_{\text{motor}} [\%]$			$\text{Cos } \varphi$			Moment of inertia [kgm ²]	Breakdown torque [Nm] $M_{\text{max}} [\text{Nm}]$
						[A]	[A]	1/2	3/4	1/1	1/2	3/4	1/1		
S1.100.125.300.462M.D.314.G.N.D	34	30	4	1482	Y/D	64	437	84	87	89	0.52	0.65	0.74	0.812	700
S1.100.125.300.4.62M.S.314.G.N.D	34	30	4	1482	Y/D	64	437	84	87	89	0.52	0.65	0.74	0.812	700
S1.100.125.300.4.62M.C.314.G.N.D	34	30	4	1482	Y/D	64	437	84	87	89	0.52	0.65	0.74	0.812	700
S1.100.125.300.4.62M.H.314.G.N.D	34	30	4	1482	Y/D	64	437	84	87	89	0.52	0.65	0.74	0.812	700
S1.100.125.400.4.62M.S.345.G.N.D	46	41	4	1464	Y/D	82	437	87	89	89	0.62	0.75	0.79	0.9417	700
S1.100.125.400.4.62M.C.345.G.N.D	49	43	4	1464	Y/D	86	437	87	89	89	0.64	0.76	0.79	0.9417	700
S1.100.125.400.4.62M.H.345.G.N.D	49	43	4	1464	Y/D	86	437	87	89	89	0.64	0.76	0.79	0.9417	700
S1.100.125.400.4.62M.D.345.G.N.D	49	43	4	1464	Y/D	86	437	87	89	89	0.64	0.76	0.79	0.9417	700
S1.100.125.500.4.62M.S.367.G.N.D	56	50	4	1470	Y/D	98	508	89	90	89	0.63	0.74	0.80	1.125	718
S1.100.125.500.4.62M.C.367.G.N.D	56	50	4	1470	Y/D	98	508	89	90	89	0.63	0.74	0.80	1.125	718
S1.100.125.500.4.62M.H.367.G.N.D	56	50	4	1470	Y/D	98	508	89	90	89	0.63	0.74	0.80	1.125	718
S1.100.125.500.4.62M.D.367.G.N.D	56	50	4	1470	Y/D	98	508	89	90	89	0.63	0.74	0.80	1.125	718

Note: Enclosure class: IP68

Pump data

Pump type	Impeller diameter	Max. solids size	Pump housing pressure	Max. installation depth
	[mm]	[mm]	PN	[m]
S1.100.125.300.462M.D.314.G.N.D	314	100	10	20
S1.100.125.300.4.62M.S.314.G.N.D	314	100	10	20
S1.100.125.300.4.62M.C.314.G.N.D	314	100	10	20
S1.100.125.300.4.62M.H.314.G.N.D	314	100	10	20
S1.100.125.400.4.62M.S.345.G.N.D	345	100	10	20
S1.100.125.400.4.62M.C.345.G.N.D	345	100	10	20
S1.100.125.400.4.62M.H.345.G.N.D	345	100	10	20
S1.100.125.400.4.62M.D.345.G.N.D	345	100	10	20
S1.100.125.500.4.62M.S.367.G.N.D	367	100	10	20
S1.100.125.500.4.62M.C.367.G.N.D	367	100	10	20
S1.100.125.500.4.62M.H.367.G.N.D	367	100	10	20
S1.100.125.500.4.62M.D.367.G.N.D	367	100	10	20

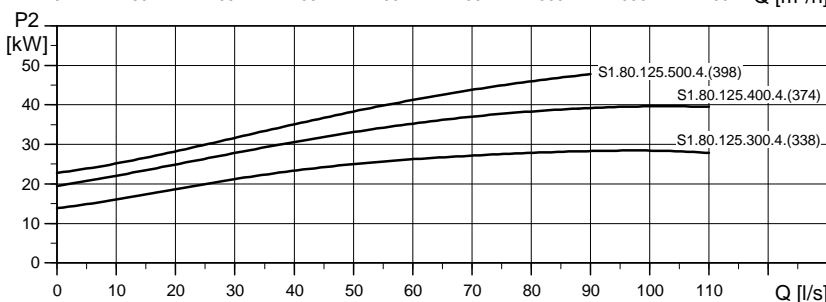
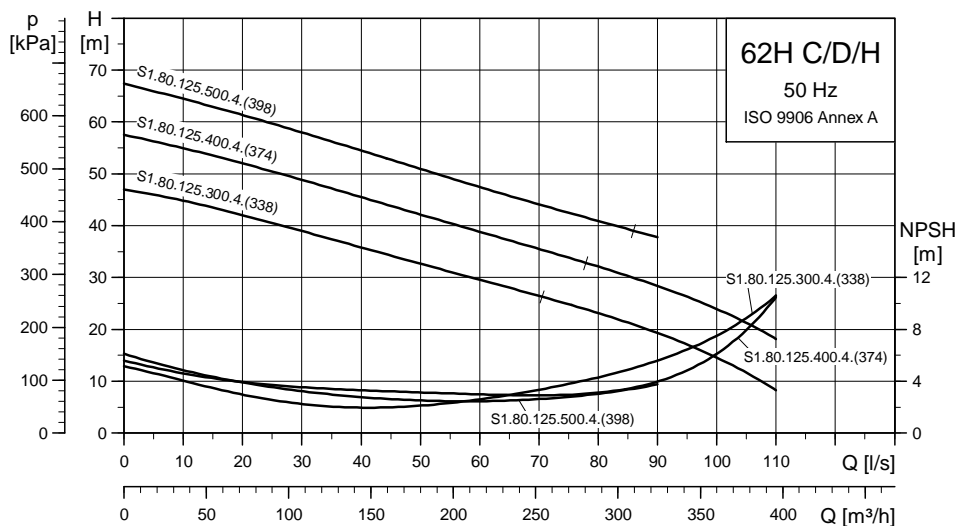
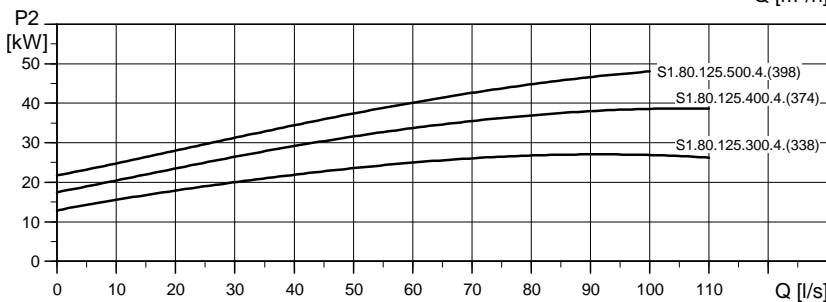
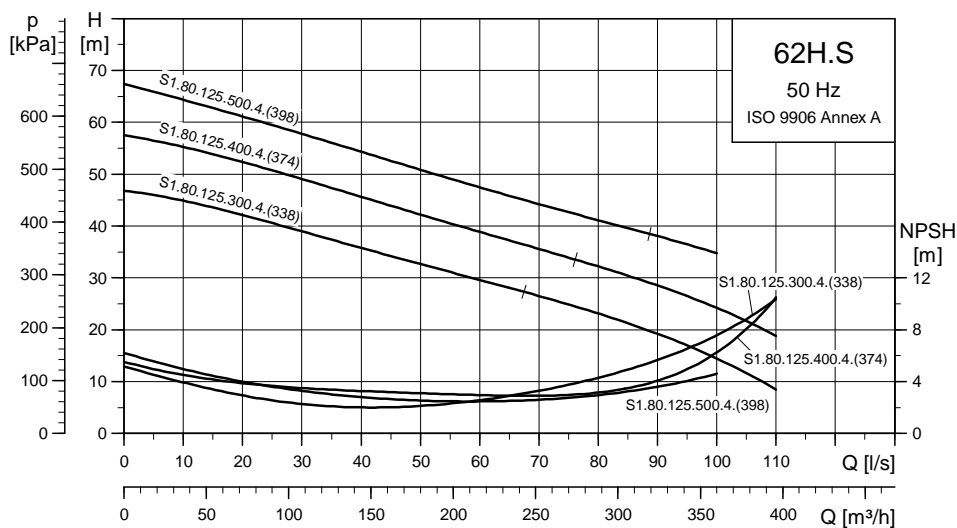
Dimensional sketches



TM04 2411 2508

Size DN	PN	Dc	Dt	DØ
100	10	180	20	8 x 18
125	10	210	22	8 x 18
150	10	240	22	8 x 22
200	10	295	24	8 x 22
250	10	350	26	12 x 22

High pressure - 3 x 400/690 V



TM04 0667 0908

TM04 0668 0908

Product range and dimensions

Pump type	Installation type	A	C	D	E	F	H	DN 1	DN 2	Weight [kg]	Product number
S1.80.125.300.4.62H.S.338.G.N.D	S	1435	690	260	440	523	230	-	125	600	95113209
S1.80.125.300.4.62H.C.338.G.N.D	C	1435	690	260	440	523	230	-	125	660	95113210
S1.80.125.300.4.62H.H.338.G.N.D	H	1477	690	260	440	523	272	DN 150	125	720	95113211
S1.80.125.300.4.62H.D.338.G.N.D	D	1477	690	260	440	523	272	DN 150	125	720	95113644
S1.80.125.400.4.62H.S.374.G.N.D	S	1435	690	260	440	523	230	-	125	600	95113212
S1.80.125.400.4.62H.C.374.G.N.D	C	1435	690	260	440	523	230	-	125	660	95113213
S1.80.125.400.4.62H.H.374.G.N.D	H	1477	690	260	440	523	272	DN 150	125	720	95113214
S1.80.125.400.4.62H.D.374.G.N.D	D	1477	690	260	440	523	272	DN 150	125	720	95113647
S1.80.125.500.4.62H.S.398.G.N.D	S	1435	690	260	440	523	230	-	125	620	95113215
S1.80.125.500.4.62H.C.398.G.N.D	C	1435	690	260	440	523	230	-	125	680	95113216
S1.80.125.500.4.62H.H.398.G.N.D	H	1477	690	260	440	523	272	DN 150	125	740	95113217
S1.80.125.500.4.62H.D.398.G.N.D	D	1477	690	260	440	523	272	DN 150	125	740	95113650

With 10 m cable

Electrical data

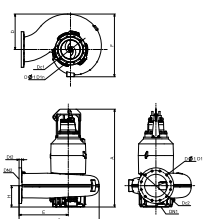
Pump type	P1 [kW]	P2 [kW]	No. of poles	RPM	Starting method	I_N			I_{start}			η_{motor} [%]			$\cos \varphi$			Moment of inertia [kgm ²]	Breakdown torque [Nm] M_{max} [Nm]
						[A]	[A]	1/2	3/4	1/1	1/2	3/4	1/1	1/2	3/4	1/1			
S1.80.125.300.4.62H.S.338.G.N.D	34	30	4	1482	Y/D	67	460	84	87	89	0.52	0.64	0.73	1.1605	700				
S1.80.125.300.4.62H.C.338.G.N.D	34	30	4	1482	Y/D	67	460	84	87	89	0.52	0.64	0.73	1.1605	700				
S1.80.125.300.4.62H.H.338.G.N.D	34	30	4	1482	Y/D	67	460	84	87	89	0.52	0.64	0.73	1.1605	700				
S1.80.125.300.4.62H.D.338.G.N.D	34	30	4	1482	Y/D	67	460	84	87	89	0.52	0.64	0.73	1.1605	700				
S1.80.125.400.4.62H.S.374.G.N.D	46	41	4	1464	Y/D	84	460	86	89	89	0.61	0.74	0.80	1.092	700				
S1.80.125.400.4.62H.C.374.G.N.D	48	43	4	1464	Y/D	88	460	87	89	89	0.63	0.75	0.80	1.092	700				
S1.80.125.400.4.62H.H.374.G.N.D	48	43	4	1464	Y/D	88	460	87	89	89	0.63	0.75	0.80	1.092	700				
S1.80.125.400.4.62H.D.374.G.N.D	48	43	4	1464	Y/D	88	460	87	89	89	0.63	0.75	0.80	1.092	700				
S1.80.125.500.4.62H.S.398.G.N.D	56	50	4	1470	Y/D	102	527	89	90	89	0.63	0.74	0.80	1.301	718				
S1.80.125.500.4.62H.C.398.G.N.D	56	50	4	1470	Y/D	102	527	89	90	89	0.63	0.74	0.80	1.301	718				
S1.80.125.500.4.62H.H.398.G.N.D	56	50	4	1470	Y/D	102	527	89	90	89	0.63	0.74	0.80	1.301	718				
S1.80.125.500.4.62H.D.398.G.N.D	56	50	4	1470	Y/D	102	527	89	90	89	0.63	0.74	0.80	1.301	718				

Note: Enclosure class: IP68

Pump data

Pump type	Impeller diameter [mm]	Max. solids size [mm]	Pump housing pressure PN	Max. installation depth [m]
S1.80.125.300.4.62H.S.338.G.N.D	338	80	10	20
S1.80.125.300.4.62H.C.338.G.N.D	338	80	10	20
S1.80.125.300.4.62H.H.338.G.N.D	338	80	10	20
S1.80.125.300.4.62H.D.338.G.N.D	338	80	10	20
S1.80.125.400.4.62H.S.374.G.N.D	374	80	10	20
S1.80.125.400.4.62H.C.374.G.N.D	374	80	10	20
S1.80.125.400.4.62H.H.374.G.N.D	374	80	10	20
S1.80.125.400.4.62H.D.374.G.N.D	374	80	10	20
S1.80.125.500.4.62H.S.398.G.N.D	398	80	10	20
S1.80.125.500.4.62H.C.398.G.N.D	398	80	10	20
S1.80.125.500.4.62H.H.398.G.N.D	398	80	10	20
S1.80.125.500.4.62H.D.398.G.N.D	398	80	10	20

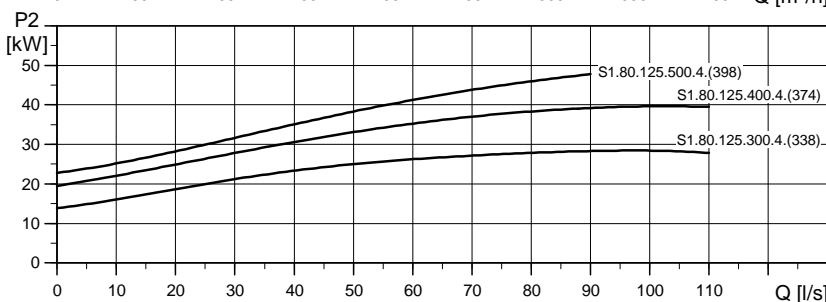
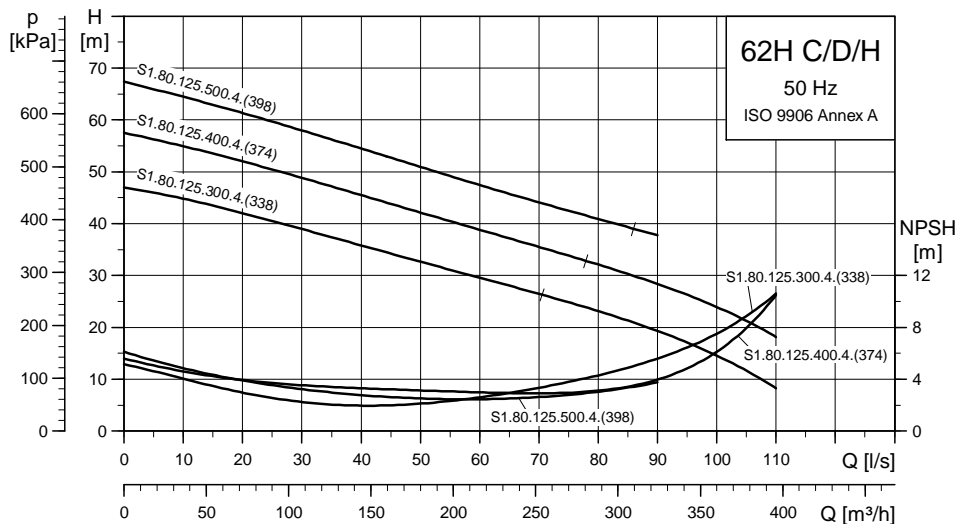
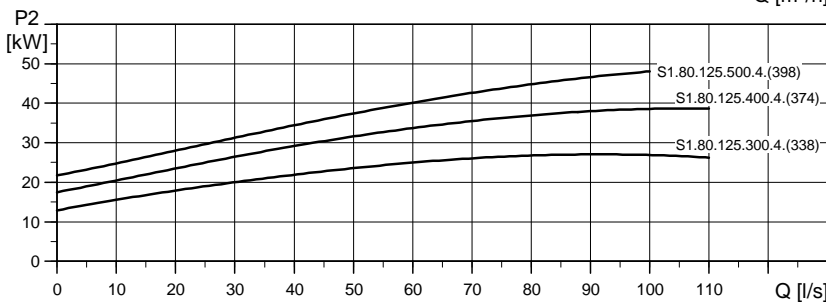
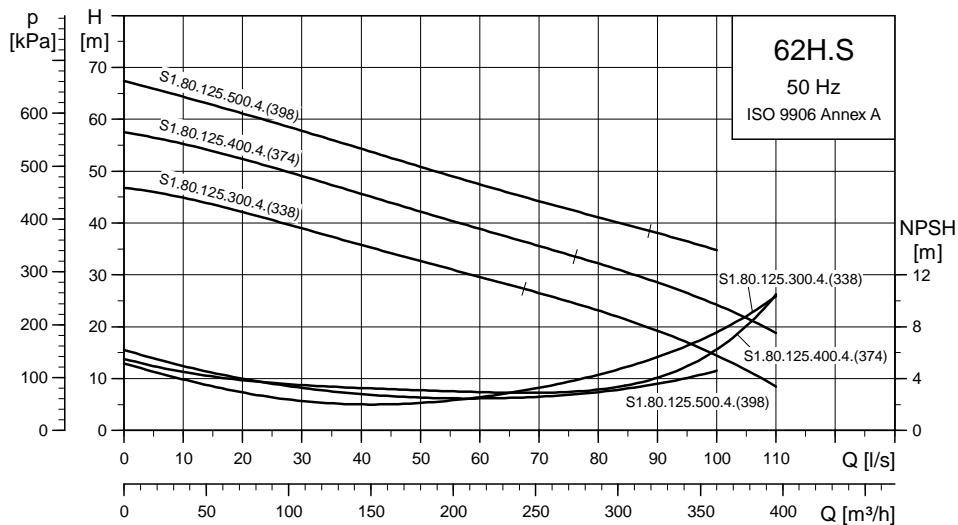
Dimensional sketches



TM04 2411 2508

Size DN	PN	Dc	Dt	DØ
100	10	180	20	8 x 18
125	10	210	22	8 x 18
150	10	240	22	8 x 22
200	10	295	24	8 x 22
250	10	350	26	12 x 22

High pressure - 3 x 415 V



TM04 0667 0908

TM04 0668 0908

Technical data

Product range and dimensions

Pump type	Installation type	A	C	D	E	F	H	DN 1	DN 2	Weight [kg]	Product number
S1.80.125.300.4.62H.D.338.G.N.D	D	1477	690	260	440	523	272	DN 150	125	720	96781861
S1.80.125.300.4.62H.S.338.G.N.D	S	1435	690	260	440	523	230	-	125	600	96783227
S1.80.125.300.4.62H.C.338.G.N.D	C	1435	690	260	440	523	230	-	125	660	96783228
S1.80.125.300.4.62H.H.338.G.N.D	H	1477	690	260	440	523	272	DN 150	125	720	96783229
S1.80.125.400.4.62H.S.374.G.N.D	S	1435	690	260	440	523	230	-	125	600	96783230
S1.80.125.400.4.62H.D.374.G.N.D	D	1477	690	260	440	523	272	DN 150	125	720	96781864
S1.80.125.400.4.62H.C.374.G.N.D	C	1435	690	260	440	523	230	-	125	660	96783231
S1.80.125.400.4.62H.H.374.G.N.D	H	1477	690	260	440	523	272	DN 150	125	720	96783232
S1.80.125.500.4.62H.D.398.G.N.D	D	1477	690	260	440	523	272	DN 150	125	740	96781867
S1.80.125.500.4.62H.S.398.G.N.D	S	1435	690	260	440	523	230	-	125	620	96783233
S1.80.125.500.4.62H.C.398.G.N.D	C	1435	690	260	440	523	230	-	125	680	96783234
S1.80.125.500.4.62H.H.398.G.N.D	H	1477	690	260	440	523	272	DN 150	125	740	96783235

With 10 m cable

Electrical data

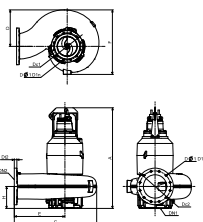
Pump type	P1 [kW]	P2 [kW]	No. of poles	RPM	Starting method	I_N			I_{start}			η_{motor} [%]			$\cos \varphi$			Moment of inertia [kgm ²]	Breakdown torque [Nm] M_{max} [Nm]
						[A]	[A]	[A]	1/2	3/4	1/1	1/2	3/4	1/1	1/2	3/4	1/1		
S1.80.125.300.4.62H.D.338.G.N.D	34	30	4	1482	Y/D	64	437	84	87	89	0.52	0.65	0.74	1.1605	700				
S1.80.125.300.4.62H.S.338.G.N.D	34	30	4	1482	Y/D	64	437	84	87	89	0.52	0.65	0.74	1.1605	700				
S1.80.125.300.4.62H.C.338.G.N.D	34	30	4	1482	Y/D	64	437	84	87	89	0.52	0.65	0.74	1.1605	700				
S1.80.125.300.4.62H.H.338.G.N.D	34	30	4	1482	Y/D	64	437	84	87	89	0.52	0.65	0.74	1.1605	700				
S1.80.125.400.4.62H.S.374.G.N.D	46	41	4	1464	Y/D	82	437	87	89	89	0.62	0.75	0.79	1.092	700				
S1.80.125.400.4.62H.D.374.G.N.D	49	43	4	1464	Y/D	86	437	87	89	89	0.64	0.76	0.79	1.092	700				
S1.80.125.400.4.62H.C.374.G.N.D	49	43	4	1464	Y/D	86	437	87	89	89	0.64	0.76	0.79	1.092	700				
S1.80.125.400.4.62H.H.374.G.N.D	49	43	4	1464	Y/D	86	437	87	89	89	0.64	0.76	0.79	1.092	700				
S1.80.125.500.4.62H.D.398.G.N.D	56	50	4	1470	Y/D	98	508	89	90	89	0.63	0.74	0.80	1.301	718				
S1.80.125.500.4.62H.S.398.G.N.D	56	50	4	1470	Y/D	98	508	89	90	89	0.63	0.74	0.80	1.301	718				
S1.80.125.500.4.62H.C.398.G.N.D	56	50	4	1470	Y/D	98	508	89	90	89	0.63	0.74	0.80	1.301	718				
S1.80.125.500.4.62H.H.398.G.N.D	56	50	4	1470	Y/D	98	508	89	90	89	0.63	0.74	0.80	1.301	718				

Note: Enclosure class: IP68

Pump data

Pump type	Impeller diameter	Max. solids size	Pump housing pressure	Max. installation depth
	[mm]	[mm]	PN	[m]
S1.80.125.300.4.62H.D.338.G.N.D	338	80	10	20
S1.80.125.300.4.62H.S.338.G.N.D	338	80	10	20
S1.80.125.300.4.62H.C.338.G.N.D	338	80	10	20
S1.80.125.300.4.62H.H.338.G.N.D	338	80	10	20
S1.80.125.400.4.62H.S.374.G.N.D	374	80	10	20
S1.80.125.400.4.62H.D.374.G.N.D	374	80	10	20
S1.80.125.400.4.62H.C.374.G.N.D	374	80	10	20
S1.80.125.400.4.62H.H.374.G.N.D	374	80	10	20
S1.80.125.500.4.62H.D.398.G.N.D	398	80	10	20
S1.80.125.500.4.62H.S.398.G.N.D	398	80	10	20
S1.80.125.500.4.62H.C.398.G.N.D	398	80	10	20
S1.80.125.500.4.62H.H.398.G.N.D	398	80	10	20


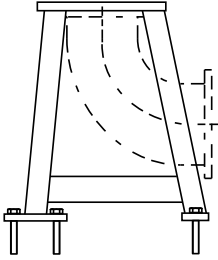
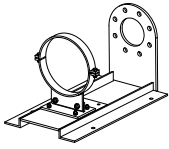
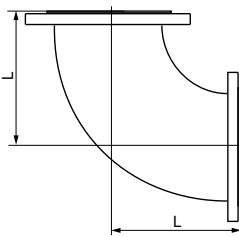
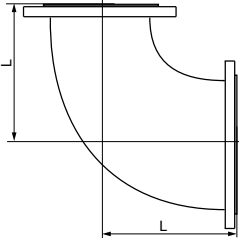
Dimensional sketches



TM04 2411 2508








Accessories (for installation)

Pump type	Installation accessories
S 50-70 S and C	DN 80-200 without guide claw (guide claw included in auto-coupling kit)
S 50-70 S and C	DN 250-600 with guide claw mounted on the pump
S 50-70 D	Pump without installation accessories (accessories as separate kit)
S 50-70 H	Base stand for horizontal, dry installation supplied together with the pump

Pictures	Description	Size	Weight [kg]	PN	Product number	
	Cast-iron, epoxy-coated auto-coupling system complete with: <ul style="list-style-type: none"> • guide claw * • base unit • upper guide rail bracket • gaskets and bolts. 	Discharge flange	DN 125/150	95	10	96782145
			DN 200	250	10	96641489
			DN 300	275	10	96782484
Intermediate guide rail bracket	For guide rails longer than 6 m	DN 125/150	3		96829331	
Guide rails	Standard pipes. Not supplied by Grundfos	DN 200-600	8		96255842	
	Vertical base stand (without bend).	Suction flange	DN 150			96308238
			DN 200			96094523
			DN 250			96094525
			DN 300			96308239
	Galvanised steel base stand for horizontal, dry installation. Supplied with bolts, gaskets and anchor bolts.	Suction flange	DN 150			96787496
			DN 200			96787497
			DN 250			96787498
			DN 300			96787499
	Equal bend L = 250 mm Equal bend L = 300 mm Equal bend L = 350 mm Equal bend L = 400 mm	Suction flange	DN 150		10	96060934
			DN 200		10	96060938
			DN 250		10	96060942
			DN 300		10	96060946
	Reducing bend L = 300 Reducing bend L = 350 Reducing bend L = 400 Reducing bend L = 500 Reducing bend L = 400 Reducing bend L = 450 Reducing bend L = 500 Reducing bend L = 500	Suction flange	DN 150 / DN 200		10	96060935
			DN 200 / DN 250		10	96090776
			DN 200 / DN 300		10	96060940
			DN 200 / DN 400		10	96605615
			DN 250 / DN 300		10	96060943
			DN 250 / DN 350		10	96060944
			DN 250 / DN 400		10	96060945
DN 300 / DN 400		10	96060947			

* Installation type S and C pumps with discharge flange size DN 250 and higher are supplied with guide claw mounted on the flange.

Other accessories

Pictures	Description	Dimensions	Product number	
	4 m galvanized lifting chain with lifting link and safety hook. Certified.		96468289	
	6 m galvanized lifting chain with lifting link and safety hook. Certified.		96468290	
	8 m galvanized lifting chain with lifting link and safety hook. Certified.	2000 kg	S 62-66	96468291
	10 m galvanized lifting chain with lifting link and safety hook. Certified.			96468292
	12 m galvanized lifting chain with lifting link and safety hook. Certified.			96468293
	4 m stainless steel lifting chain with lifting link and safety hook. Certified.			96490254
	6 m stainless steel lifting chain with lifting link and safety hook. Certified.			96490255
	8 m stainless steel lifting chain with lifting link and safety hook. Certified.	2000 kg	S 62-66	96490256
	10 m stainless steel lifting chain with lifting link and safety hook. Certified.			96490257
	12 m stainless steel lifting chain with lifting link and safety hook. Certified.			96490258
	AMD.07.18.1410 mixer, 3 x 400 V, 50 Hz		96113490	
	Bracket for wall mounting	2" thread	96115291	
	Bracket for floor mounting	2" thread	96115292	
	Bracket for suspended mounting	2" thread	96115293	
	Tube for suspended mounting, length 3 m	2" thread	96115294	
	Float switch with 10 m cable		96003332	
	Float switch with 20 m cable		96003695	
	Float switch for use in potentially explosive environments. With 10 m cable		96003421	
	Float switch for use in potentially explosive environments. With 20 m cable		96003536	
	Bracket for two float switches		96003338	
	Float switches with bracket, 10 m cable	2 switches, 1 pump without alarm		
		3 switches, 1 pump with alarm		
		3 switches, 2 pumps with alarm		
		4 switches, 2 pumps with alarm		
	Float switches for use in potentially explosive environments. With bracket and 10 m cable.	2 switches, 1 pump without alarm	62500016	
		3 switches, 1 pump with alarm	62500017	
		3 switches, 2 pumps with alarm	62500017	
		4 switches, 2 pumps with alarm	62500018	
	Bracket for level electrodes	For mounting on a 38 mm pipe	91713196	

Installation on auto coupling

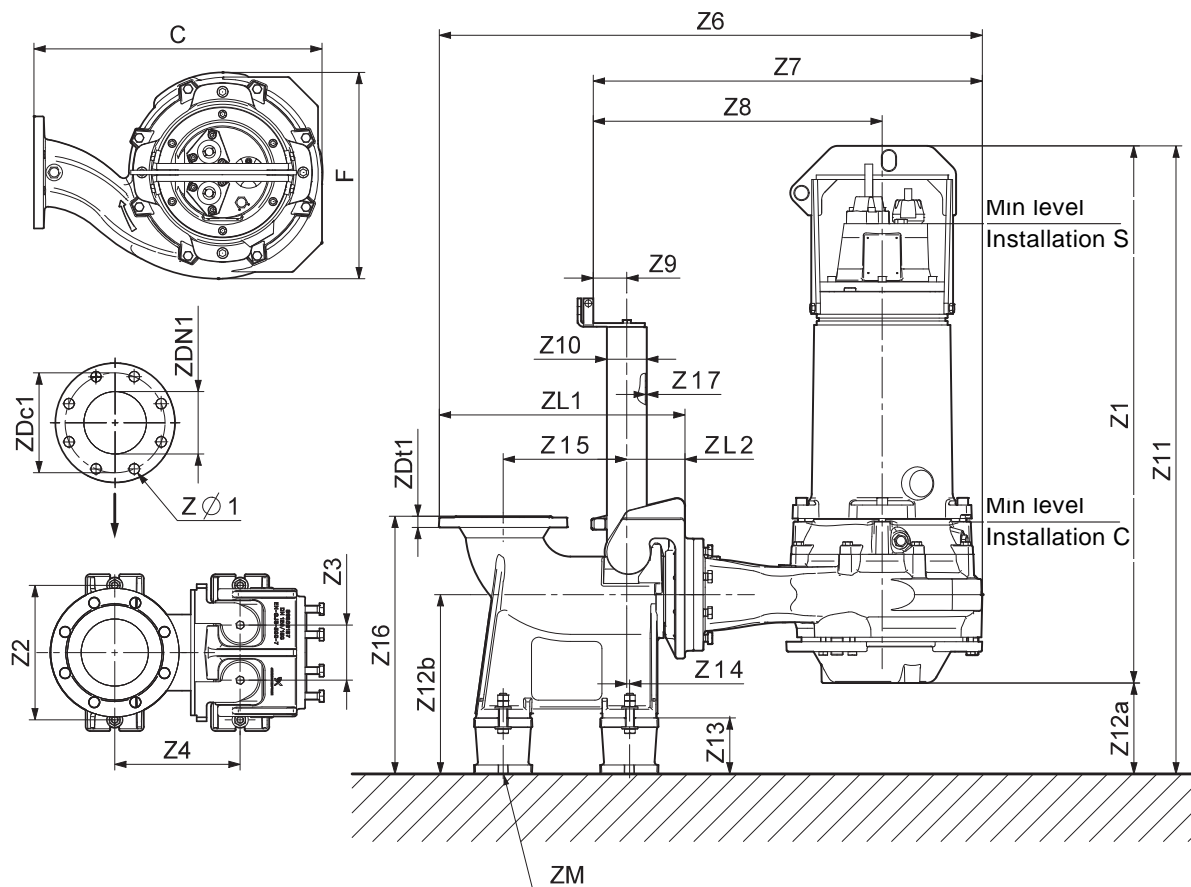


Fig. 17 Dimensional sketches, installation on auto coupling

Note: Z12a is minimal recommended distance from pit bottom to bottom of pump suction side.

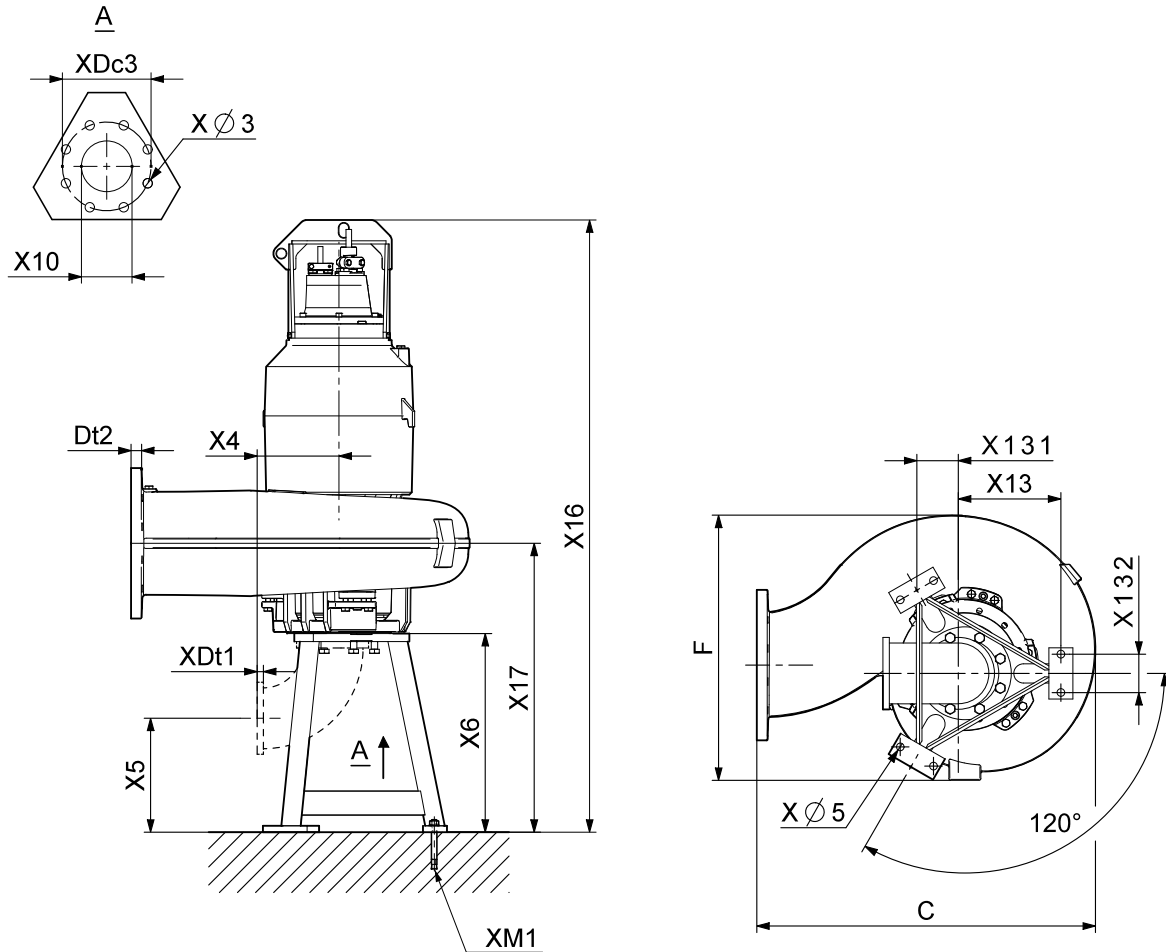
Z11 is total height of pump installed on Grundfos installation accessory in the pit. NOTE: This figure might not equal Z12a + Z1.

TM04 2417 2508

Pump type	C	F	Z1	Z2	Z3	Z4	Z6	Z7	Z8	Z9	Z10	Z11	Z12a	Z12b
S2.100.200.400.4.62L.S.xxx.G	960	646	1471	430	200	535	1721	1352	1052	170	88.0	1577	106	196
S2.100.200.400.4.62L.S.xxx.Q	960	646	1471	430	200	535	1721	1352	1052	170	88.0	1577	106	196
S2.100.200.500.4.62L.S.xxx.G	960	646	1471	430	200	535	1721	1352	1052	170	88.0	1627	156	196
S2.100.200.500.4.62L.S.xxx.Q	960	646	1471	430	200	535	1721	1352	1052	170	88.0	1627	156	196
S2.100.300.300.4.62E.S.xxx.G	1235	869	1500	551	200	670	2136	1627	1192	170	88.0	1640	140	256
S2.100.300.300.4.62E.S.xxx.Q	1235	869	1500	551	200	670	2136	1627	1192	170	88.0	1640	140	256
S2.100.300.400.4.62E.S.xxx.G	1235	869	1500	551	200	670	2136	1627	1192	170	88.0	1640	140	256
S2.100.300.400.4.62E.S.xxx.Q	1235	869	1500	551	200	670	2136	1627	1192	170	88.0	1640	140	256
S2.100.300.500.4.62E.S.xxx.G	1235	869	1500	551	200	670	2136	1627	1192	170	88.0	1640	140	256
S2.100.300.500.4.62E.S.xxx.Q	1235	869	1500	551	200	670	2136	1627	1192	170	88.0	1640	140	256
S2.145.300.200.8.62E.S.xxx.G	1139	907	1490	551	200	670	2040	1531	1092	170	88.0	1671	181	256
S2.145.300.200.8.62E.S.xxx.Q	1139	907	1490	551	200	670	2040	1531	1092	170	88.0	1671	181	256
S2.145.300.280.8.62E.S.xxx.G	1139	907	1490	551	200	670	2040	1531	1092	170	88.0	1671	181	256
S2.145.300.280.8.62E.S.xxx.Q	1139	907	1490	551	200	670	2040	1531	1092	170	88.0	1671	181	256
S3.120.300.150.12.62F.S.xxx.G	1139	907	1490	551	200	670	2040	1531	1092	170	88.0	1621	131	256
S3.120.300.150.12.62F.S.xxx.Q	1139	907	1490	551	200	670	2040	1531	1092	170	88.0	1621	131	256

Pump type	Z13	Z14	Z15	Z16	Z17G	Z17S	ZØ1	ZDC1	ZDN1	ZDt1	ZL1	ZL2	ZM
S2.100.200.400.4.62L.S.xxx.G.N.D	150	86	365	485	3.0	3.0	8 x 23	295	200	31	761	222	4 x M24
S2.100.200.400.4.62L.S.xxx.Q.N.D	150	86	365	485	3.0	3.0	8 x 23	295	200	31	761	222	4 x M24
S2.100.200.500.4.62L.S.xxx.G.N.D	200	86	365	485	3.0	3.0	8 x 23	295	200	31	761	222	4 x M24
S2.100.200.500.4.62L.S.xxx.Q.N.D	200	86	365	485	3.0	3.0	8 x 23	295	200	31	761	222	4 x M24
S2.100.300.300.4.62E.S.xxx.G.N.D	150	95	450	650	3.0	3.0	12 x 23	400	300	32	901	222	4 x M24
S2.100.300.300.4.62E.S.xxx.Q.N.D	150	95	450	650	3.0	3.0	12 x 23	400	300	32	901	222	4 x M24
S2.100.300.400.4.62E.S.xxx.G.N.D	150	95	450	650	3.0	3.0	12 x 23	400	300	32	901	222	4 x M24
S2.100.300.400.4.62E.S.xxx.Q.N.D	150	95	450	650	3.0	3.0	12 x 23	400	300	32	901	222	4 x M24
S2.100.300.500.4.62E.S.xxx.G.N.D	150	95	450	650	3.0	3.0	12 x 23	400	300	32	901	222	4 x M24
S2.100.300.500.4.62E.S.xxx.Q.N.D	150	95	450	650	3.0	3.0	12 x 23	400	300	32	901	222	4 x M24
S2.145.300.200.8.62E.S.xxx.G.N.D	150	95	450	650	3.0	3.0	12 x 23	400	300	32	901	222	4 x M24
S2.145.300.200.8.62E.S.xxx.Q.N.D	150	95	450	650	3.0	3.0	12 x 23	400	300	32	901	222	4 x M24
S2.145.300.280.8.62E.S.xxx.G.N.D	150	95	450	650	3.0	3.0	12 x 23	400	300	32	901	222	4 x M24
S2.145.300.280.8.62E.S.xxx.Q.N.D	150	95	450	650	3.0	3.0	12 x 23	400	300	32	901	222	4 x M24
S3.120.300.150.12.62F.S.xxx.G.N.D	100	95	450	650	3.0	3.0	12 x 23	400	300	32	901	222	4 x M24
S3.120.300.150.12.62F.S.xxx.Q.N.D	100	95	450	650	3.0	3.0	12 x 23	400	300	32	901	222	4 x M24

Dry, vertical installation on base stand

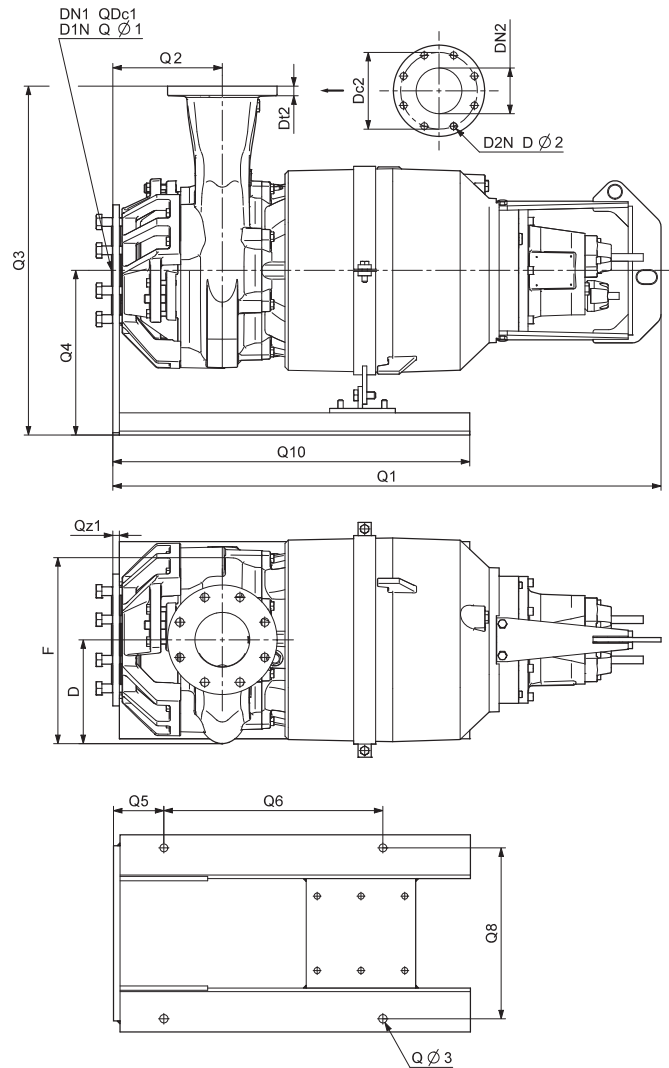


TM04 2422 2508

Fig. 19 Dimensional sketches, dry, vertical installation on base stand

Pump type	C	F	XØ3	XØ5	X4	X5	X6	X10	X13	X131	X132	X16	X17	XDC3	XDt1	Dt2	XM1
S2.145.300.200.8.62E.D	1139	907	24	28	350	532	882	300	672	222	150	2426	1161	400	28	28	M24 x 6
S2.145.300.280.8.62E.D	1139	907	24	28	350	532	882	300	672	222	150	2426	1161	400	28	28	M24 x 6
S2.100.300.300.4.62E.D	1235	869	24	28	300	554	854	250	600	200	150	2390	1156	350	28	28	M24 x 6
S2.100.300.400.4.62E.D	1235	869	24	28	300	554	854	250	600	200	150	2390	1156	350	28	28	M24 x 6
S2.100.300.500.4.62E.D	1235	869	24	28	300	554	854	250	600	200	150	2390	1156	350	28	28	M24 x 6
S3.120.300.150.12.62F.D	1139	907	24	28	350	532	882	300	672	222	150	2426	1161	400	28	28	M24 x 6
S1.80.125.300.4.62H.D	690	523	24	24	200	421	621	150	440	140	120	2098	893	240	24	24	M20 x 6
S1.80.125.400.4.62H.D	690	523	24	24	200	421	621	150	440	140	120	2098	893	240	24	24	M20 x 6
S1.80.125.500.4.62H.D	690	523	24	24	200	421	621	150	440	140	120	2098	893	240	24	24	M20 x 6
S2.100.200.400.4.62L.D	960	646	24	28	300	554	854	250	600	200	150	2348	1117	350	28	28	M24 x 6
S2.100.200.500.4.62L.D	960	646	24	28	300	554	854	250	600	200	150	2348	1117	350	28	28	M24 x 6
S1.100.125.300.4.62M.D	690	552	24	24	250	469	719	200	520	170	120	2186	968	295	26	26	M20 x 6
S1.100.125.400.4.62M.D	690	552	24	24	250	469	719	200	520	170	120	2186	968	295	26	26	M20 x 6
S1.100.125.500.4.62M.D	690	552	24	24	250	469	719	200	520	170	120	2186	968	295	26	26	M20 x 6

Dry, horizontal installation on base stand

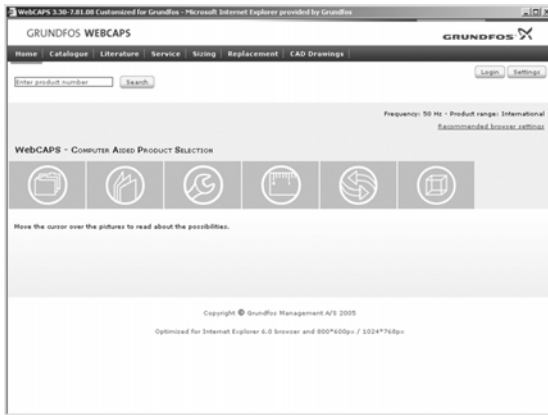


TM04 2414 2508

Fig. 20 Dimensional sketches, dry, horizontal installation on base stand

Pump type	D	F	QØ3	Q1	Q2	Q3	Q4	Q5	Q6	Q8	Q10	QDc1	DN1	Qø1	D1N	QZ1	DN2	D2N	Dø2	DC2	Dt2
S1.80.125.300.4.62H.H	260	523	18	1495	290	815	375	115	500	390	815	240	150	M20	8	18	125	8	19	210	22
S1.80.125.400.4.62H.H	260	523	18	1495	290	815	375	115	500	390	815	240	150	M20	8	18	125	8	19	210	22
S1.80.125.500.4.62H.H	260	523	18	1495	290	815	375	115	500	390	815	240	150	M20	8	18	125	8	19	210	22
S1.100.125.300.4.62M.H	276	552	18	1485	267	815	375	115	500	390	815	295	200	M20	8	18	125	8	19	210	22
S1.100.125.400.4.62M.H	276	552	18	1485	267	815	375	115	500	390	815	295	200	M20	8	18	125	8	19	210	22
S1.100.125.500.4.62M.H	276	552	18	1485	267	815	375	115	500	390	815	295	200	M20	8	18	125	8	19	210	22
S2.100.200.400.4.62L.H	356	646	18	1512	281	1035	375	115	500	390	1015	350	250	M20	12	18	200	8	24	295	26
S2.100.200.500.4.62L.H	356	646	18	1512	281	1035	375	115	500	390	1015	350	250	M20	12	18	200	8	24	295	26
S2.100.300.300.4.62E.H	484	869	19	1554	320	1350	550	115	500	390	865	350	250	M20	12	18	300	12	24	400	33
S2.100.300.400.4.62E.H	484	869	19	1554	320	1350	550	115	500	390	865	350	250	M20	12	18	300	12	24	400	33
S2.100.300.500.4.62E.H	484	869	19	1554	320	1350	550	115	500	390	865	350	250	M20	12	18	300	12	24	400	33
S2.145.300.200.8.62E.H	522	907	19	1567	302	1250	550	120	500	500	870	400	300	M20	12	23	300	12	24	400	33
S2.145.300.280.8.62E.H	522	907	19	1567	302	1250	550	120	500	500	870	400	300	M20	12	23	300	12	24	400	33
S3.120.300.150.12.62F.H	522	907	19	1567	302	1250	550	120	500	500	870	400	300	M20	12	23	300	12	24	400	33

WebCAPS

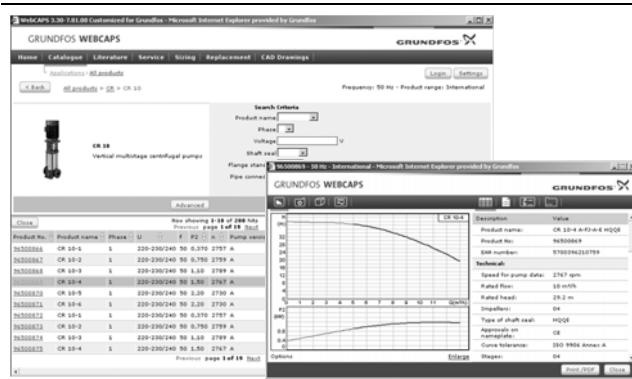


WebCAPS is a **Web-based Computer Aided Product Selection** program available on www.grundfos.com.

WebCAPS contains detailed information on more than 185,000 Grundfos products in more than 20 languages.

In WebCAPS, all information is divided into 6 sections:

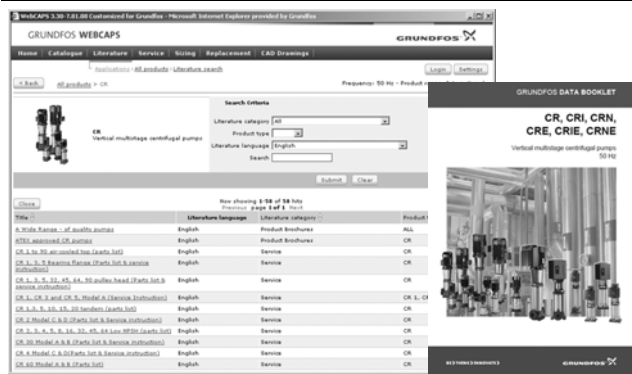
- Catalogue
- Literature
- Service
- Sizing
- Replacement
- CAD drawings.



Catalogue

This section is based on fields of application and pump types, and contains

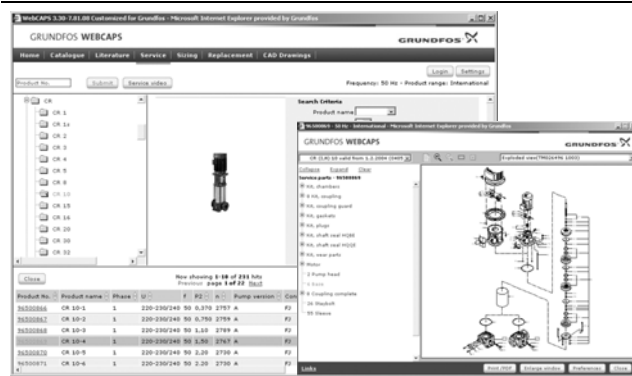
- technical data
- curves (QH, Eta, P1, P2, etc) which can be adapted to the density and viscosity of the pumped liquid and show the number of pumps in operation
- product photos
- dimensional drawings
- wiring diagrams
- quotation texts, etc.



Literature

In this section you can access all the latest documents of a given pump, such as

- data booklets
- installation and operating instructions
- service documentation, such as Service kit catalogue and Service kit instructions
- quick guides
- product brochures.



Service

This section contains an easy-to-use interactive service catalogue. Here you can find and identify service parts of both existing and discontinued Grundfos pumps.

Furthermore, this section contains service videos showing you how to replace service parts.



Sizing

This section is based on different fields of application and installation examples, and gives easy step-by-step instructions in how to

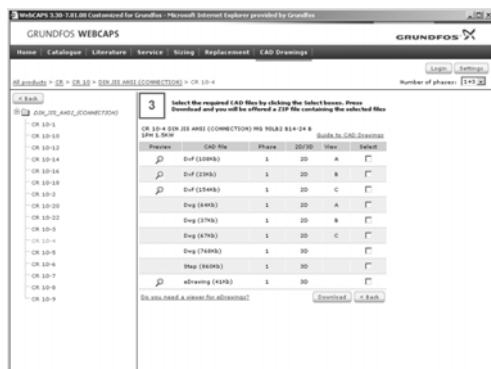
- select the most suitable and efficient pump for your installation
- carry out advanced calculations based on energy consumption, payback periods, load profiles, life cycle costs, etc.
- analyse your selected pump via the built-in life cycle cost tool
- determine the flow velocity in wastewater applications, etc.



Replacement

In this section you find a guide to selecting and comparing replacement data of an installed pump in order to replace the pump with a more efficient Grundfos pump. The section contains replacement data of a wide range of pumps produced by other manufacturers than Grundfos.

Based on an easy step-by-step guide, you can compare Grundfos pumps with the one you have installed on your site. When you have specified the installed pump, the guide will suggest a number of Grundfos pumps which can improve both comfort and efficiency.



CAD drawings

In this section it is possible to download 2-dimensional (2D) and 3-dimensional (3D) CAD drawings of most Grundfos pumps.

These formats are available in WebCAPS:

- 2-dimensional drawings:
- .dxf, wireframe drawings
 - .dwg, wireframe drawings.
- 3-dimensional drawings:
- .dwg, wireframe drawings (without surfaces)
 - .stp, solid drawings (with surfaces)
 - .eprt, E-drawings.

WinCAPS



Fig. 21 WinCAPS CD-ROM

WinCAPS is a **Windows-based Computer Aided Product Selection** program containing detailed information on more than 185,000 Grundfos products in more than 20 languages.

The program contains the same features and functions as WebCAPS, but is an ideal solution if no Internet connection is available.

WinCAPS is available on CD-ROM and updated once a year.

96805708 0709	GB
Repl. 96805708 0309	

Subject to alterations.