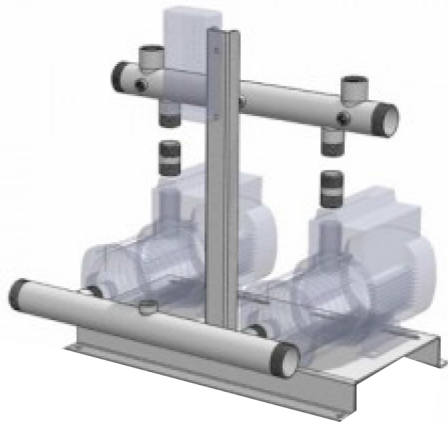
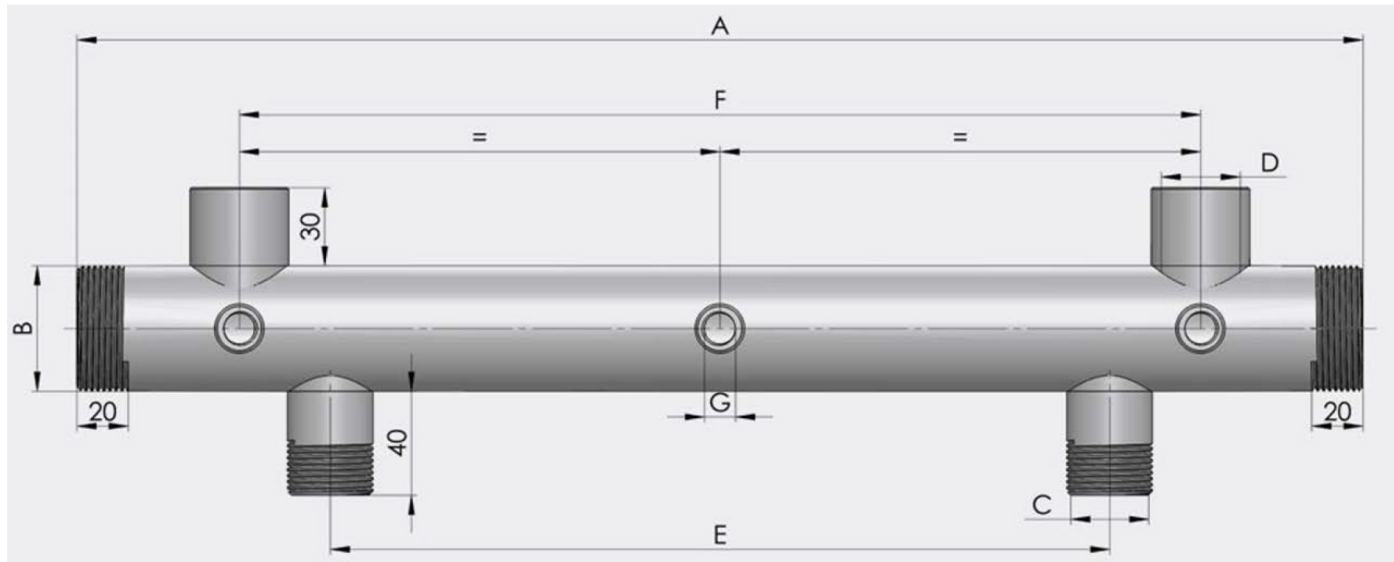


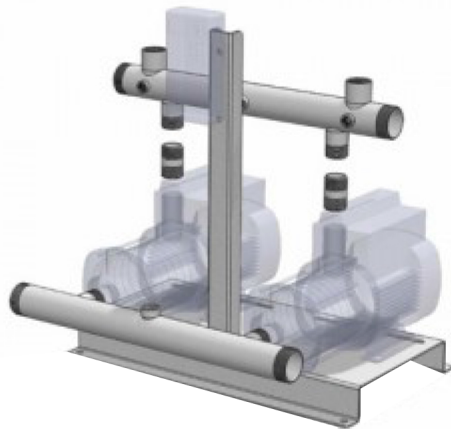
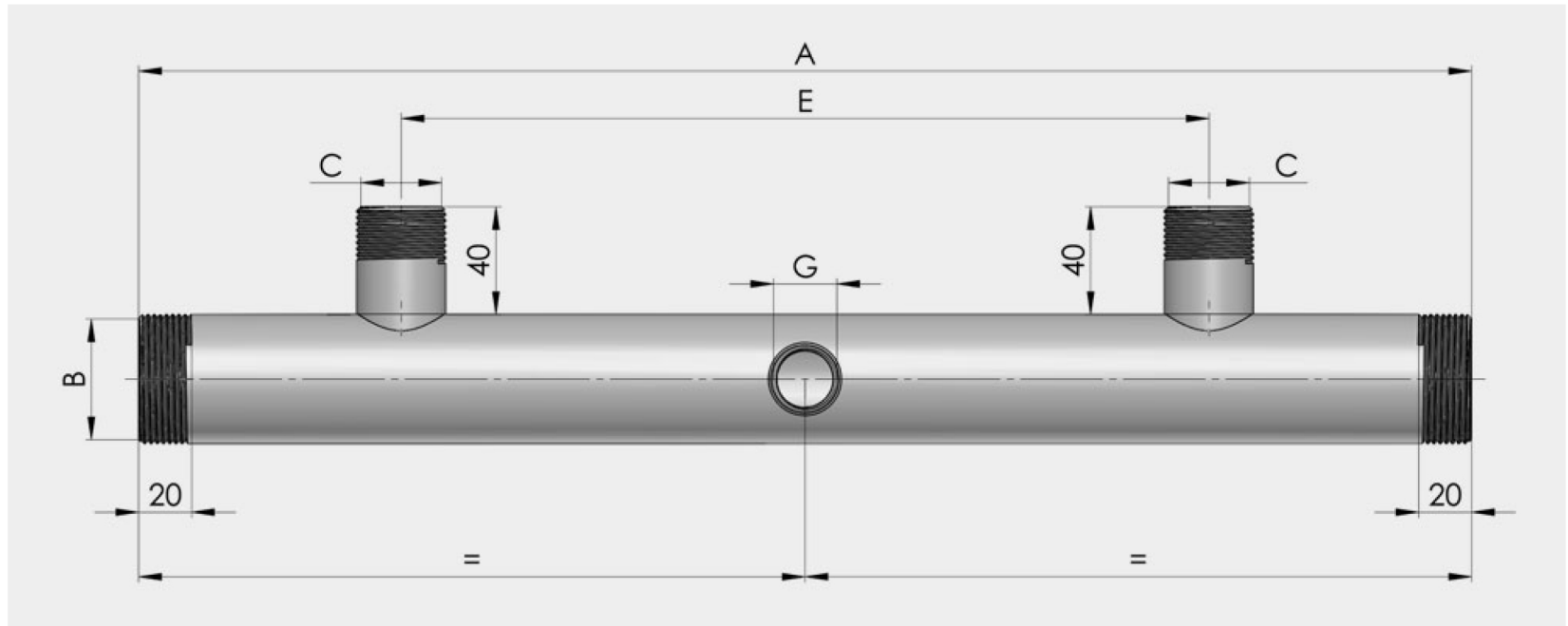
منی فولد خروجی ۲ پمپ افقی



CODICE	A length	B Main pipe	C Outlets	D Outlets	E distance between the pumps	F	G	Weight in Kg
6500	500 mm	1"1/2	1"M	1"F	300 mm	370 mm	1/4"F	1,92
6503	500 mm	2"	1"M	1"F	300 mm	370 mm	1/4"F	2,41
6501	500 mm	2"	1"1/4M	1"F	300 mm	370 mm	1/4"F	2,45
6510	700 mm	2"	1"1/4M	1"F	360 mm	370 mm	1/4"F	2,60
6505	500 mm	2"	1"1/2M	1"F	300 mm	370 mm	1/4"F	2,50
6511	700 mm	2"	1"1/2M	1"F	360 mm	390 mm	1/4"F	3,34
6502	500 mm	2"1/2	1"1/4M	1"F	300 mm	370 mm	1/4"F	3,00
6513	700 mm	2"1/2	1"1/4M	1"F	360 mm	390 mm	1/4"F	3,30
6506	500 mm	2"1/2	1"1/2M	1"F	300 mm	370 mm	1/4"F	3,10
6512	700 mm	2"1/2	1"1/2M	1"F	360 mm	390 mm	1/4"F	3,30
6504	700 mm	3"	2"M	1"F	360 mm	390 mm	1/4"F	5,80
6514	700 mm	DN100*	3"M	1"F	360 mm	390 mm	1/4"F	6,00

* flanged

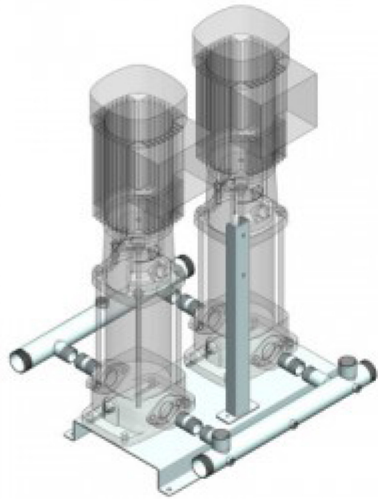
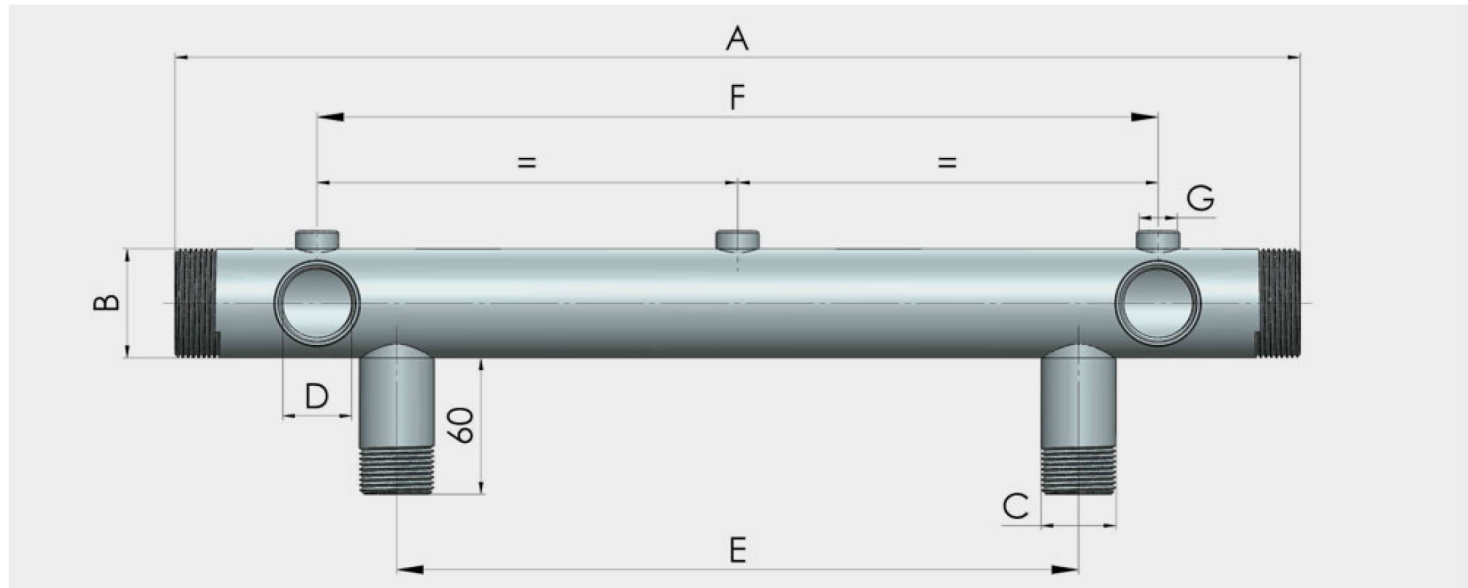
منیفولد ورودی ۲ پمپ افقی و عمودی



CODICE	A length	B Main pipe	C Outlets	E distance between the pumps	G	Weight in Kg
6600	500 mm	1"1/2	1"M	300 mm	1/2"F	1,80
6603	500 mm	2"	1"M	300 mm	1/2"F	2,20
6601	500 mm	2"	1"1/4M	300 mm	1/2"F	2,22
6605	500 mm	2"	1"1/2M	300 mm	1/2"F	2,22
6611	700 mm	2"	1"1/2M	360 mm	1/2"F	3,10
6609	500 mm	2"1/2	1"1/4M	300 mm	1/2"F	2,80
6613	700 mm	2"1/2	1"1/4M	360 mm	1/2"F	3,00
6602	500 mm	2"1/2	1"1/2M	300 mm	1/2"F	2,80
6612	700 mm	2"1/2	1"1/2M	360 mm	1/2"F	3,00
6604	500 mm	3"	2"M	300 mm	1/2"F	3,50
6610	700 mm	3"	2"M	360 mm	1/2"F	3,80
6614	700 mm	DN100*	3"M	360 mm	1/2"F	6,00

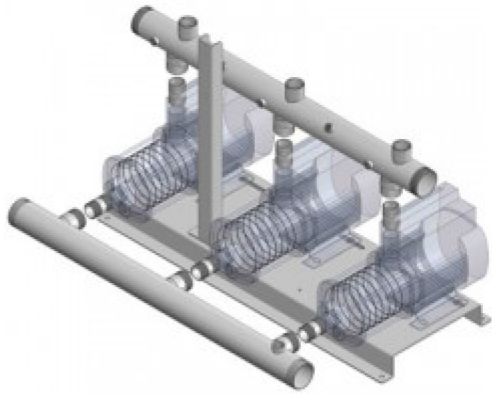
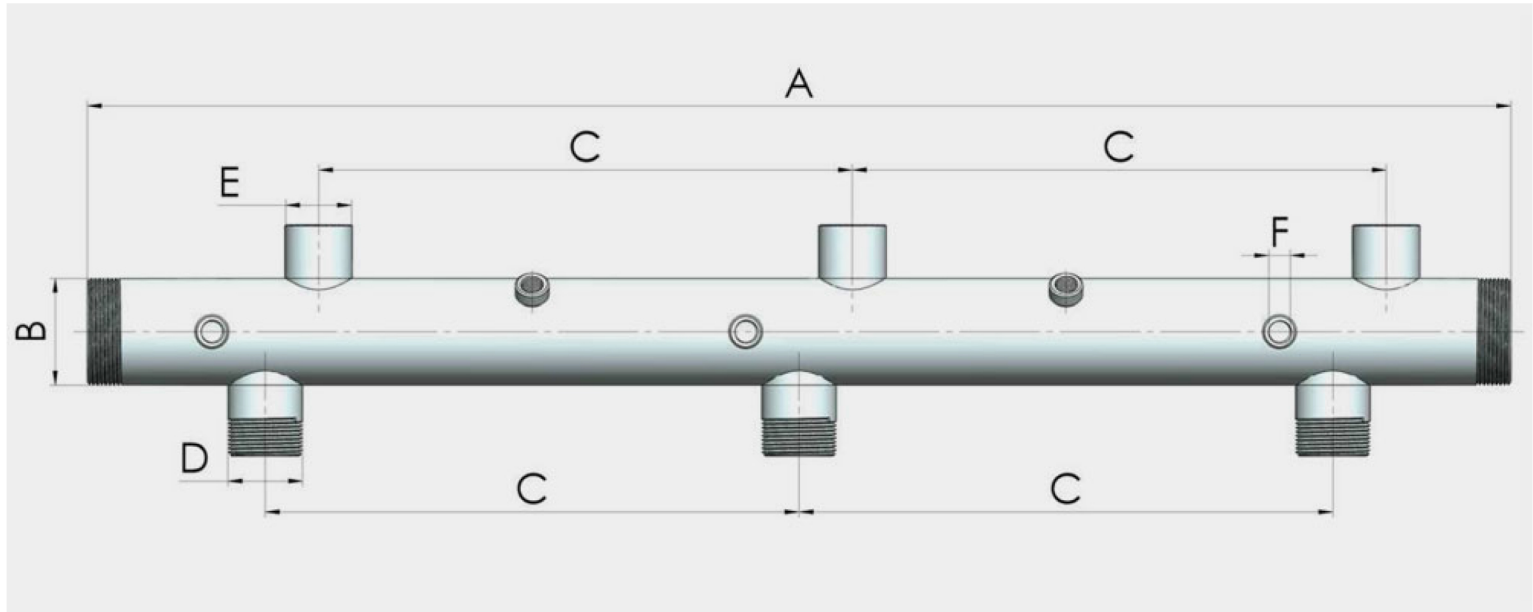
* flanged

منیفولد خروجی ۲ پمپ عمودی



CODICE	A length	B Main pipe	C Outlets	D Outlets	E distance between the pumps	F	G	Weight in Kg
6500_90	500 mm	1"1/2	1"M	1"F	300 mm	370 mm	1/4"F	1,92
6503_90	500 mm	2"	1"M	1"F	300 mm	370 mm	1/4"F	2,41
6501_90	500 mm	2"	1"1/4M	1"F	300 mm	370 mm	1/4"F	2,45
6510_90	700 mm	2"	1"1/4M	1"F	360 mm	370 mm	1/4"F	3,00
6505_90	500 mm	2"	1"1/2M	1"F	300 mm	370 mm	1/4"F	2,50
6511_90	700 mm	2"	1"1/2M	1"F	360 mm	390 mm	1/4"F	3,34
6502_90	500 mm	2"1/2	1"1/4M	1"F	300 mm	370 mm	1/4"F	3,00
6513_90	700 mm	2"1/2	1"1/4M	1"F	360 mm	390 mm	1/4"F	3,50
6506_90	500 mm	2"1/2	1"1/2M	1"F	300 mm	370 mm	1/4"F	3,10
6512_90	700 mm	2"1/2	1"1/2M	1"F	360 mm	390 mm	1/4"F	3,50
6504_90	700 mm	3"	2"M	1"F	360 mm	390 mm	1/4"F	5,80

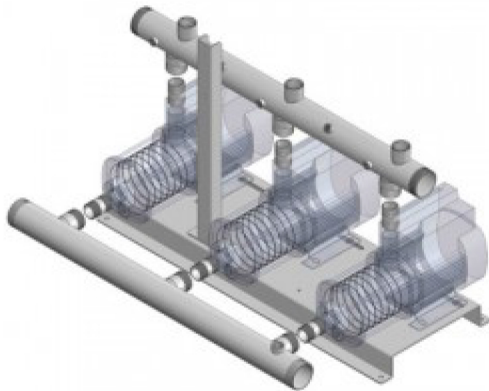
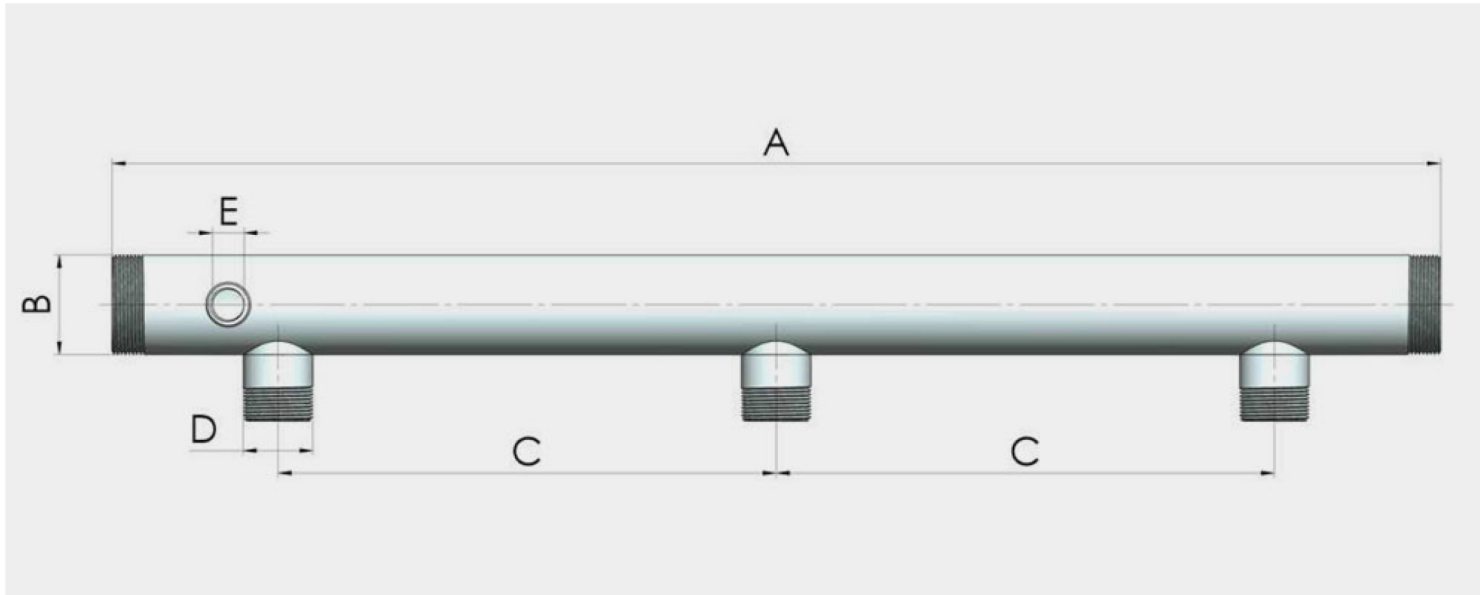
منيفولڊ خروجى ۳ پمپ



CODICE	A length	B Main pipe	C distance between the pumps	D Outlets	E	F	Weight in Kg
6542	800 mm	2"	300 mm	1"M	1"F	1/4"F	4,00
6540	800 mm	2"	300 mm	1"1/4F	1"F	1/4"F	4,30
6543	800 mm	2"1/2	300 mm	1"1/4F	1"F	1/4"F	4,80
6541	800 mm	2"1/2	300 mm	1"1/2F	1"F	1/4"F	5,00
6544	800 mm	3"	300 mm	2"	1"F	1/4"F	5,90
6545	800 mm	DN100*	300 mm	3"	1"F	1/4"F	10,00

* flanged

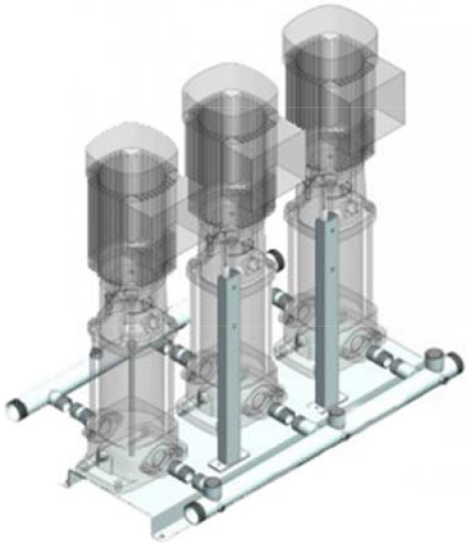
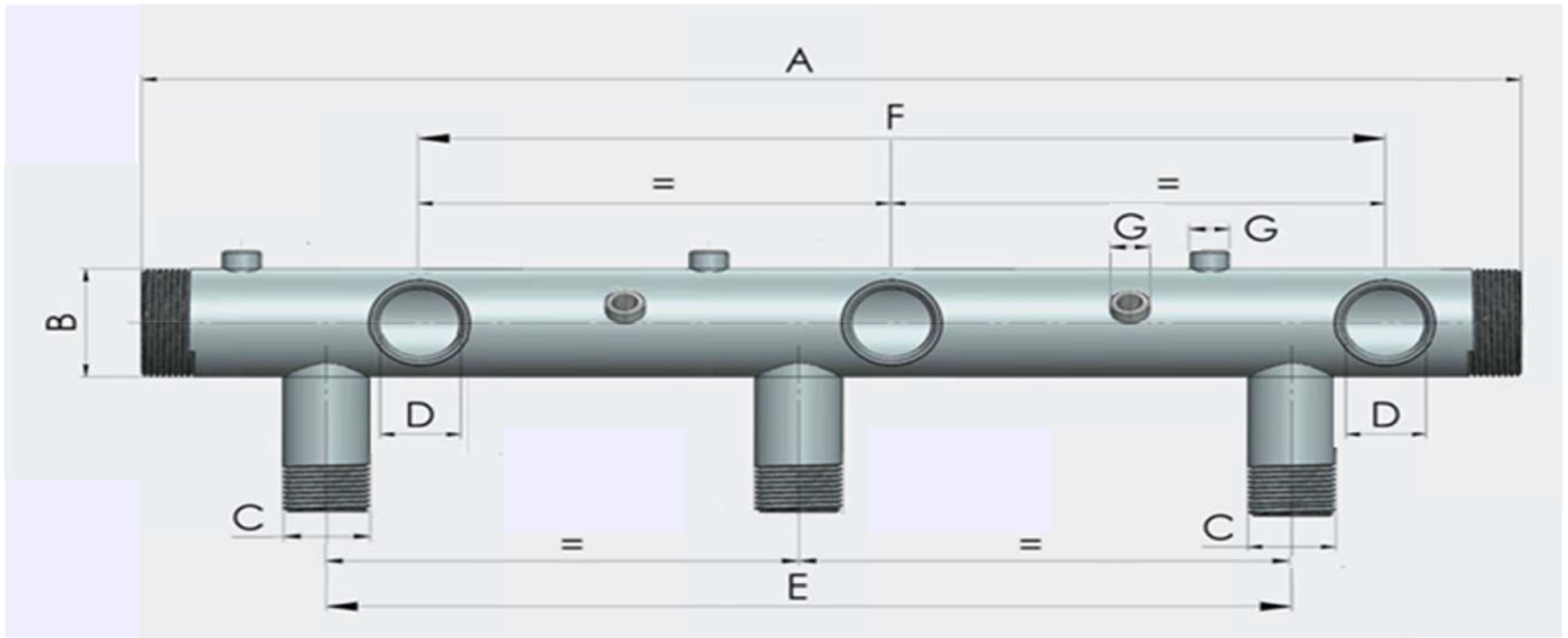
منیفولد ورودی ۳ پمپ افقی و عمودی



CODICE	A length	B Main pipe	C distance between the pumps	D Outlets	E	F	Weight in Kg
6642	800 mm	2"	300 mm	1"M	1/2"F	3,50	
6640	800 mm	2"	300 mm	1"1/4M	1/2"F	3,70	
6643	800 mm	2"1/2	300 mm	1"1/4M	1/2"F	4,40	
6641	800 mm	2"1/2	300 mm	1"1/2M	1/2"F	4,60	
6644	800 mm	3"	300 mm	2"M	1/2"F	5,50	
6645	800 mm	DN100*	300 mm	3"M	1/2"F	9,00	

* flanged

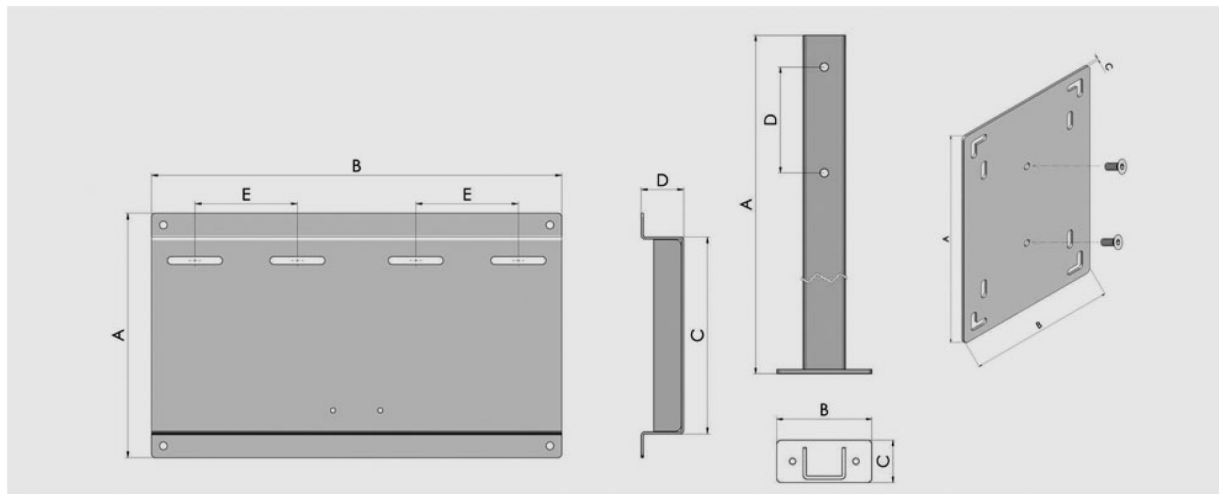
منیفولد خروجی ۳ پمپ عمودی



CODICE	A length	B Main pipe	C Outlets	D	E distance between the pumps	G	Weight in Kg
6542-90	800 mm	2"	1"	1"F	600 mm	1/4"F	4,00
6540-90	800 mm	2"	1"1/4	1"F	600 mm	1/4"F	4,30
6543-90	800 mm	2"1/2	1"1/4	1"F	600 mm	1/4"F	4,80
6541-90	800 mm	2"1/2	1"1/2	1"F	600 mm	1/4"F	5,00
6544-90	800 mm	3"	2"	1"F	600 mm	1/4"F	5,90
6545-90	800 mm	DN100*	3"	1"F	600 mm	1/4"F	10,00

* flanged

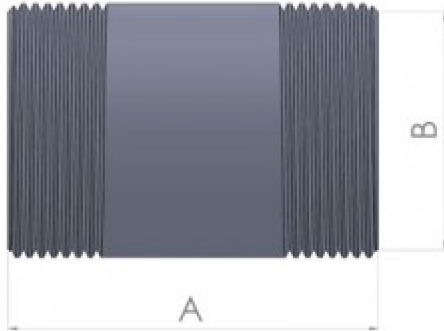
بيس پليت و پايه و صفحه تابلو



CODE	DESCRIPTION	A	B	C	D	E	CARRYING CAPACITY
6805	1 PUMP	310 mm	260 mm	250 mm	54 mm	130 mm	50 kg
6800	2 PUMPS	310 mm	520 mm	250 mm	54 mm	130 mm	100 kg
6802	2 PUMPS	350 mm	620 mm	290 mm	54 mm	150 mm	100 kg
6813	2 PUMPS	400 mm	720 mm	340 mm	54 mm	150 mm	100 kg
6803	3 PUMPS	310 mm	800 mm	250 mm	54 mm	130 mm	150 kg
6806	3 PUMPS	400 mm	900 mm	340 mm	54 mm	150 mm	150 kg
6804	4 PUMPS	310 mm	1080 mm	250 mm	54 mm	130 mm	200 kg
6807	4 PUMPS	400 mm	1200 mm	340 mm	54 mm	150 mm	200 kg
6801	STAND FOR PANNEL	480 mm	90 mm	2540 mm	100 mm	-	-
6808	STAND FOR PANNEL	800 mm	90 mm	40 mm	100 mm	-	-
6809	HOOK FOR PANNEL	230 mm	160 mm	3 mm	-	-	-
6810	HOOK FOR PANNEL	270 mm	190 mm	3 mm	-	-	-
6811	HOOK FOR PANNEL	370 mm	310 mm	2503 mm	-	-	-
6814	4 FEET ANTIVIBRATION	-	-	-	-	-	-

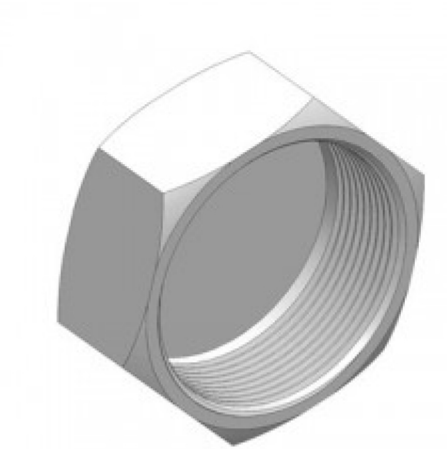
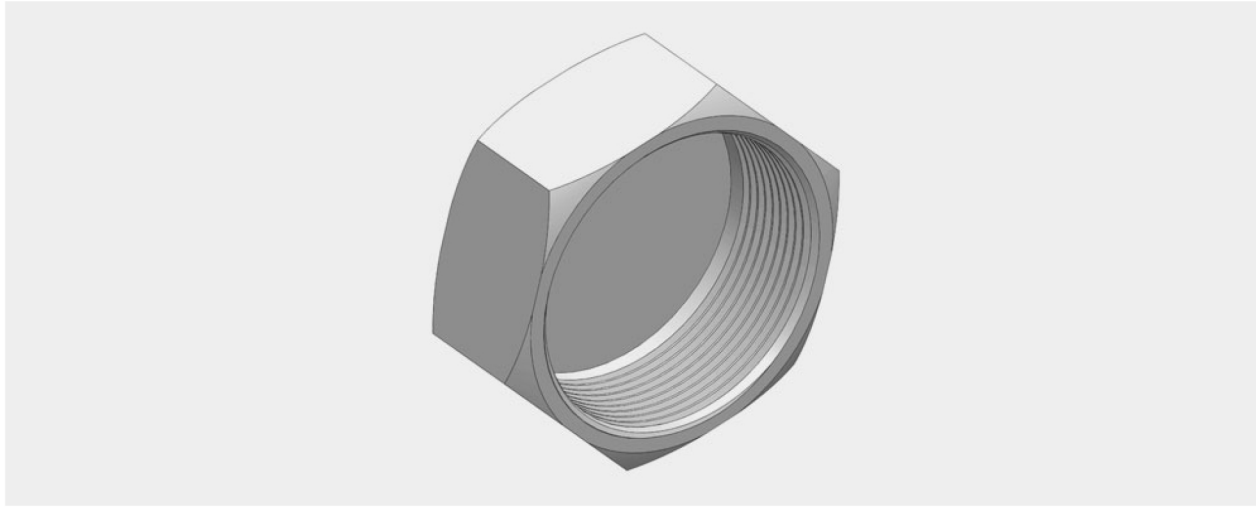


مغزی



CODE	MATERIAL	A length	B Main pipe
6770	Zinc plate steel	50 mm	1"
6771	Zinc plate steel	50 mm	1"1/4
6772	Zinc plate steel	70 mm	1"1/2
6773	Zinc plate steel	70 mm	2"
6774	Zinc plate steel	70 mm	2"1/2
6775	Zinc plate steel	100 mm	3"
6776	Zinc plate steel	100 mm	4"

درپوش



CODE	MATERIAL	SIZE
6750	Zinc plate steel	1"1/2
6753	Zinc plate steel	2"
6754	Zinc plate steel	2"1/2
6755	Zinc plate steel	3"
6756	Zinc plate steel	4"
6751X	Inox 304	2"
6752X	Inox 304	2"1/2
6753X	Inox 304	3"